

Solex - Xenon Beacon

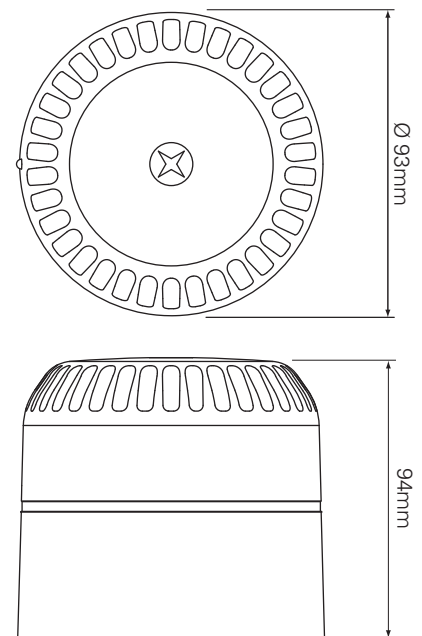
Xenon Beacons are a cost effective compliment to audible alarms for use in areas of high ambient noise. The wide operating voltage and automatic synchronisation of the Solex make them a universal solution for all types of alarm and monitoring systems.



Technical Specification

Voltage	10 - 60Vdc (*1)
Current	Solex 3 85 - 25mA Solex 10 185 - 45mA Solex 15 510 - 120mA (current drops at higher voltage)
Light output	Solex 3 2.5cd Solex 10 10cd Solex 15 15cd
Monitoring	Reverse polarity
Temperature	- 25°C to + 70°C
Protection	IP65
Construction Base	ABS, PC lens
Weight	0.18Kg
Colour	Red or white base
Lens colour	Red, amber, blue, green or clear

(*1) 110 / 230Vac when used with a Deep powered base



Features

- 3 light output options
- 5 lens colour options
- 9V - 60V
- Tamper switch option (10cd)

Benefits

- Performance to suit your application
- A colour to suit all events
- Wide operating voltage for maximum flexibility
- For use where security is an issue

Reference

SO/A/DW/10

SO/R/DR/15

SO/A/DW/15

SO/R/DR/10C + MAINS MOD

SO/A/DW/10C + MAINS MOD

SO/B/DW/10C + MAINS MOD

Catalogue No.

531027FULL-0085

531028FULL-0111

531029FULL-0112

531024FULL-1049

531027FULL-1048

531051FULL-1051

Description

Solex Beacon, Amber Lens, White, Deep Base, 10cd

Solex Beacon, Red Lens, Red, Deep Base, 15cd

Solex Beacon, Amber Lens, White Deep Base, 15cd

Solex Xenon, Red Lens, Red, Deep Base, 10cd + Mains Mod

Solex Xenon, Amber Lens, White, Deep Base, 10cd + Mains Mod

Solex Xenon, Blue Lens, White, Deep Base, Mains, 10cd + Mains Mod