

Select your language

- German
- English
- Spanish
- French
- Dutch
- Italian
- Polish
- Czech
- Russian
- Norwegian Bokmål

Worldwide English



IZMX-TV403-4000-1 - Connection 3p vertikál



183978 IZMX-TV403-4000-1

[Overview](#) [Specifications](#) [Resources](#)



183978 IZMX-TV403-4000-1

Connection 3p vertikál

Alternate Catalog No.

65A3137G12

EL-Nummer (Norway)

4398388

Accessories, Vertical connections, This connector kit includes L-shaped adapters for all main terminals.,

This connector kit is only intended for the 4,000 A vertical terminal., Rated current In 4000 A, Pole 3, For

use with IZMX40...3...40F, IZMX40...3...40W, INX40...3...40F, INX40...3...40W

- [Delivery program](#)
- [Design verification as per IEC/EN 61439](#)
- [Technical data ETIM 7.0](#)
- [Dimensions](#)

Delivery program

Product range

Accessories

Accessories

Main terminal kits

Accessories

Vertical connections

This connector kit includes L-shaped adapters for all main terminals.

This connector kit is only intended for the 4,000 A vertical terminal.

Rated current [I_n]

4000 A

Pole

3

For use with

IZMX40...3...40F

IZMX40...3...40W

INX40...3...40F

INX40...3...40W

Information about equipment supplied

Main terminals are not supplied as standard with the basic devices and cassettes.

Each set includes the connections for top and bottom. 3-pole= 6 connections; 4-pole= 8 connections, including accessories for mounting on the flanged circuit-breaker connection.

Design verification as per IEC/EN 61439

Operating ambient temperature min.

-25 °C

Operating ambient temperature max.

+70 °C

Technical data ETIM 7.0

Low-voltage industrial components (EG000017) / Connection vane/phase spreader (EC002019)

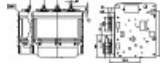
Electric engineering, automation, process control engineering / Low-voltage switch technology / Component for low-voltage switching technology / Connection vane/phase spreader (ec1@ss10.0.1-27-37-13-05 [ACN990012])

Suitable for number of poles
3

Dimensions



Contact surface flange terminal



Contact surface flange terminal

CAD data

- [Product-specific CAD data](#)
(Web)
- [3D Preview](#)
(Web)

DWG files

- [DA-CD-imx_tv4_3p](#)
File
(Web)

edz files

- [DA-CE-ETN.IZMX-TV403-4000-1](#)
File
(Web)

Step files

- [DA-CS-imx_tv4_3p](#)
File
(Web)

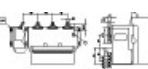
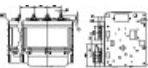
Product photo

- 
[sg06918](#)
Photo
Connection, 3p, vertical

3D drawing

- 
[1230DRW-1014](#)
Line drawing

Dimensions single product

- 
[1230DIM-412](#)
Line drawing
 Contact surface flange terminal
- 
[1230DIM-413](#)
Line drawing
 Contact surface flange terminal

Download-Center

- [Download-Center \(this item\)](#)
Eaton EMEA Download-Center - download data for this item
- [Download-Center](#)
Eaton EMEA Download-Center

 [Generate data sheet in PDF format](#)

 [Generate data sheet in Excel format](#)

 [Write a comment](#)

[Imprint](#) [Privacy Policy](#) [Legal Disclaimer](#) [Terms and Conditions](#)

© 2022 by Eaton Industries GmbH