

Select your language

- German
- English
- Spanish
- French
- Dutch
- Italian
- Polish
- Czech
- Russian
- Norwegian Bokmål

Worldwide English



IZMX-THV163-1 - Connection 3p horizontal/vertical



183970 IZMX-THV163-1

[Overview](#) [Specifications](#) [Resources](#)



183970 IZMX-THV163-1

Connection 3p horizontal/vertical

Alternate Catalog No.

65A2606G01

EL-Nummer (Norway)

4398380

Accessories, Horizontal and vertical connections, This connection kit comes with T-shaped adapters for the main terminals; these adapters can be used either as horizontal or vertical connectors., Each set contains the connections for top and bottom 3 pole = 6 off; 4 pole = 8 off, Rear universal connection for withdraw able unit., Rated current In 630 - 1600 A, Pole 3, For use with IZMX163..., INX163...

- [Delivery program](#)

Design verification as per IEC/EN 61439

- [Technical data ETIM 7.0](#)

- [Dimensions](#)

Delivery program

Product range

Accessories

Accessories

Main terminal kits

Accessories

Horizontal and vertical connections

This connection kit comes with T-shaped adapters for the main terminals; these adapters can be used either as horizontal or vertical connectors.

Each set contains the connections for top and bottom 3 pole = 6 off; 4 pole = 8 off

Rear universal connection for withdraw able unit.

Rated current [I_n]

630 - 1600 A

Pole

3

For use with

IZMX163...

INX163...

Design verification as per IEC/EN 61439

Operating ambient temperature min.

-25 °C

Operating ambient temperature max.

+70 °C

Technical data ETIM 7.0

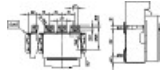
Low-voltage industrial components (EG000017) / Connection vane/phase spreader (EC002019)

Electric engineering, automation, process control engineering / Low-voltage switch technology / Component for low-voltage switching technology / Connection vane/phase spreader (ec1@ss10.0.1-27-37-13-05 [ACN990012])

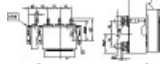
Suitable for number of poles

3

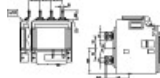
Dimensions



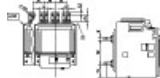
- Contact surface flange terminal



- Contact surface flange terminal



- Contact surface flange terminal



- Contact surface flange terminal

CAD data

- [Product-specific CAD data](#)
(Web)
- [3D Preview](#)
(Web)

DWG files

- [DA-CD-izmx_thv_short_3p](#)
File
(Web)

edz files

- [DA-CE-ETN.IZMX-THV163-1](#)
File
(Web)

Step files

- [DA-CS-izmx_thv_short_3p](#)
File
(Web)

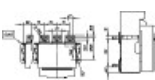

Product photo

- 
[1230PIC-986](#)
Photo

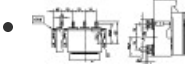
3D drawing

- [1230DRW-908](#)
Line drawing

Dimensions single product

- 
[1230DIM-396](#)
Line drawing
 Contact surface flange terminal
- 
[1230DIM-397](#)
Line drawing

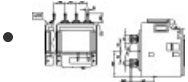
Contact surface flange terminal



[1230DIM-398](#)

Line drawing

Contact surface flange terminal



[1230DIM-399](#)

Line drawing

Contact surface flange terminal

Download-Center

- [Download-Center \(this item\)](#)
Eaton EMEA Download-Center - download data for this item
- [Download-Center](#)
Eaton EMEA Download-Center

 [Generate data sheet in PDF format](#)

 [Generate data sheet in Excel format](#)

 [Write a comment](#)

[Imprint](#) [Privacy Policy](#) [Legal Disclaimer](#) [Terms and Conditions](#)

© 2022 by Eaton Industries GmbH