

Select your language

- German
- English
- Spanish
- French
- Dutch
- Italian
- Polish
- Czech
- Russian
- Norwegian Bokmål

Worldwide English



CI-K4-PKZ4-GR - Insulated enclosure for PKZ4, +rotary handle, red/yellow



225525 CI-K4-PKZ4-GR

[Overview](#) [Specifications](#) [Resources](#)



## 225525 CI-K4-PKZ4-GR

Insulated enclosure for PKZ4, +rotary handle, red/yellow

EL-Nummer (Norway) 4355165

Insulated enclosure for PKZM4, degree of protection IP65, metric cable entry knockout: at top and bottom M25/M32 in the back plate: M25/M32 control cable entry: M20 incl. insulated PE-terminal, with red-yellow rotary handle

- [Delivery program](#)
- [Design verification as per IEC/EN 61439](#)
- [Technical data ETIM 7.0](#)
- [Approvals](#)
- [Dimensions](#)

### Delivery program

Product range

Accessories

Subrange

Surface mounting enclosures

Accessories

Insulated enclosures for PKZ

with red-yellow rotary knob, for use as EMERGENCY STOP switch in accordance with EN 60204

Degree of Protection

IP65

For use with

+VH or NH-E

+NH or AGM

+U or A

+L-PKZ0 (2 off)

#### Notes

With insulated PE(N) terminal.

In each case 2 metric M25/M32 cable entry knockouts top and bottom

2 metric M25/M32 cable entry knockouts in the rear wall.

In each case 1 metric M20 cable entry knockout for cable entry glands top and bottom

Hard mirror with cable entry knockouts which can be cut out.

### Design verification as per IEC/EN 61439

Technical data for design verification

Rated operational current for specified heat dissipation [I<sub>r</sub>]

0 A

Heat dissipation per pole, current-dependent [P<sub>vid</sub>]

0 W

Equipment heat dissipation, current-dependent [P<sub>vid</sub>]

0 W

Static heat dissipation, non-current-dependent [P<sub>vs</sub>]

0 W

Heat dissipation capacity [P<sub>diss</sub>]

29.5 W

Operating ambient temperature min.

-25 °C

Operating ambient temperature max.

+70 °C

IEC/EN 61439 design verification

10.2 Strength of materials and parts 10.2.2 Corrosion resistance

Meets the product standard's requirements.

10.2 Strength of materials and parts 10.2.3.1 Verification of thermal stability of enclosures

Meets the product standard's requirements.

10.2 Strength of materials and parts 10.2.3.2 Verification of resistance of insulating materials to normal heat

Meets the product standard's requirements.

10.2 Strength of materials and parts 10.2.3.3 Verification of resistance of insulating materials to abnormal heat and fire due to internal electric effects

Meets the product standard's requirements.

10.2 Strength of materials and parts 10.2.4 Resistance to ultra-violet (UV) radiation

Please enquire

10.2 Strength of materials and parts 10.2.5 Lifting

Does not apply, since the entire switchgear needs to be evaluated.

10.2 Strength of materials and parts 10.2.6 Mechanical impact

Does not apply, since the entire switchgear needs to be evaluated.

10.2 Strength of materials and parts 10.2.7 Inscriptions

Meets the product standard's requirements.

10.3 Degree of protection of ASSEMBLIES

Does not apply, since the entire switchgear needs to be evaluated.

10.4 Clearances and creepage distances

Meets the product standard's requirements.

10.5 Protection against electric shock

Does not apply, since the entire switchgear needs to be evaluated.

10.6 Incorporation of switching devices and components

Does not apply, since the entire switchgear needs to be evaluated.

10.7 Internal electrical circuits and connections

Is the panel builder's responsibility.

10.8 Connections for external conductors

Is the panel builder's responsibility.

10.9 Insulation properties 10.9.2 Power-frequency electric strength

Is the panel builder's responsibility.

10.9 Insulation properties 10.9.3 Impulse withstand voltage

Is the panel builder's responsibility.

10.9 Insulation properties 10.9.4 Testing of enclosures made of insulating material

Is the panel builder's responsibility.

10.10 Temperature rise

The panel builder is responsible for the temperature rise calculation. Eaton will provide heat dissipation data for the devices.

10.11 Short-circuit rating

Is the panel builder's responsibility. The specifications for the switchgear must be observed.

10.12 Electromagnetic compatibility

Is the panel builder's responsibility. The specifications for the switchgear must be observed.

10.13 Mechanical function

The device meets the requirements, provided the information in the instruction leaflet (IL) is observed.

## Technical data ETIM 7.0

Low-voltage industrial components (EG000017) / Empty enclosure for switchgear (EC000712)

Electric engineering, automation, process control engineering / Low-voltage switch technology / Component for low-voltage switching technology / Empty housing for switch devices (ecl@ss10.0.1-27-37-13-01 [AKN343014])

Material housing

Plastic

Width

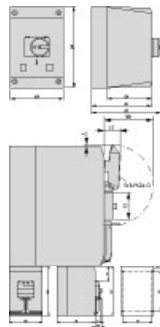
160 mm

Height  
240 mm  
Depth  
160 mm  
With transparent cover  
No  
Suitable for emergency stop  
Yes  
Model  
Surface mounting  
Degree of protection (IP)  
IP65  
Degree of protection (NEMA)  
Other

## Approvals

Specially designed for North America  
No

## Dimensions



Drilling dimensions  
+SVB-PKZ4-CI

## CAD data

- [Product-specific CAD data](#)  
(Web)
- [3D Preview](#)  
(Web)

## DWG files

- [DA-CD-ci\\_k4\\_pkz4\\_g](#)  
File  
(Web)

## edz files

- [DA-CE-ETN.CI-K4-PKZ4-GR](#)  
File  
(Web)

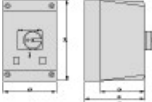
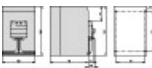
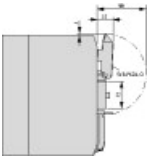
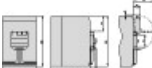

## Step files

- [DA-CS-ci\\_k4\\_pkz4\\_g](#)  
File  
(Web)

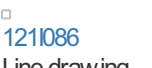
## Additional product information

- [Motor starters and "Special Purpose Ratings" for the North American market](#)  
(PDF)
- [Busbar Component Adapters for modern Industrial control panels](#)  
(PDF)

# Dimensions single product

-   
[121X069](#)  
Line drawing  
Insulated enclosure for top mounting
-   
[121X074](#)  
Line drawing  
Insulated enclosure for top mounting
-   
[121X075](#)  
Line drawing  
Insulated enclosure for top mounting
-   
[121X086](#)  
Line drawing  
Insulated enclosures
-   
[121X087](#)  
Line drawing  
Insulated enclosures

# 3D drawing

-   
[1211086](#)  
Line drawing  
Insulated enclosure for motor-protective circuit-breaker

# Product photo

-   
[1210PIC-434](#)  
Photo

# Instruction Leaflet

- [Motor-protective circuit -breaker with insulated enclosures \(IL03402002Z\)](#)  
Asset  
former AWA1210-1844, Pub51170  
(PDF, 07/2021, multilingual)

# Declaration of Conformity

## UK

- [Surface Mounted Enclosures + Accessories PKZ... \(DA-DC-00004012\)](#)  
Asset  
(PDF)

# Download-Center

- [Download-Center \(this item\)](#)

Eaton EMEA Download-Center - download data for this item

- [Download-Center](#)

Eaton EMEA Download-Center



[Generate data sheet in PDF format](#)



[Generate data sheet in Excel format](#)



[Write a comment](#)

[Imprint](#) [Privacy Policy](#) [Legal Disclaimer](#) [Terms and Conditions](#)

© 2021 by Eaton Industries GmbH

