



Filament lamp, 230V, 4W

Part no. **SL4-L230**
 Catalog No. **171385**
 Alternate Catalog No. **SL4-L230**
 EL-Nummer (Norway) **0004137620**

Delivery program

Product range			Accessories
Basic function accessories			Filament bulbs
Mounting			Ba15d
lifespan		h	3000
Power			4 W
Rated operational voltage	U _e	V	230 V
For use with			SL4-L-...
Connection to SmartWire-DT			no

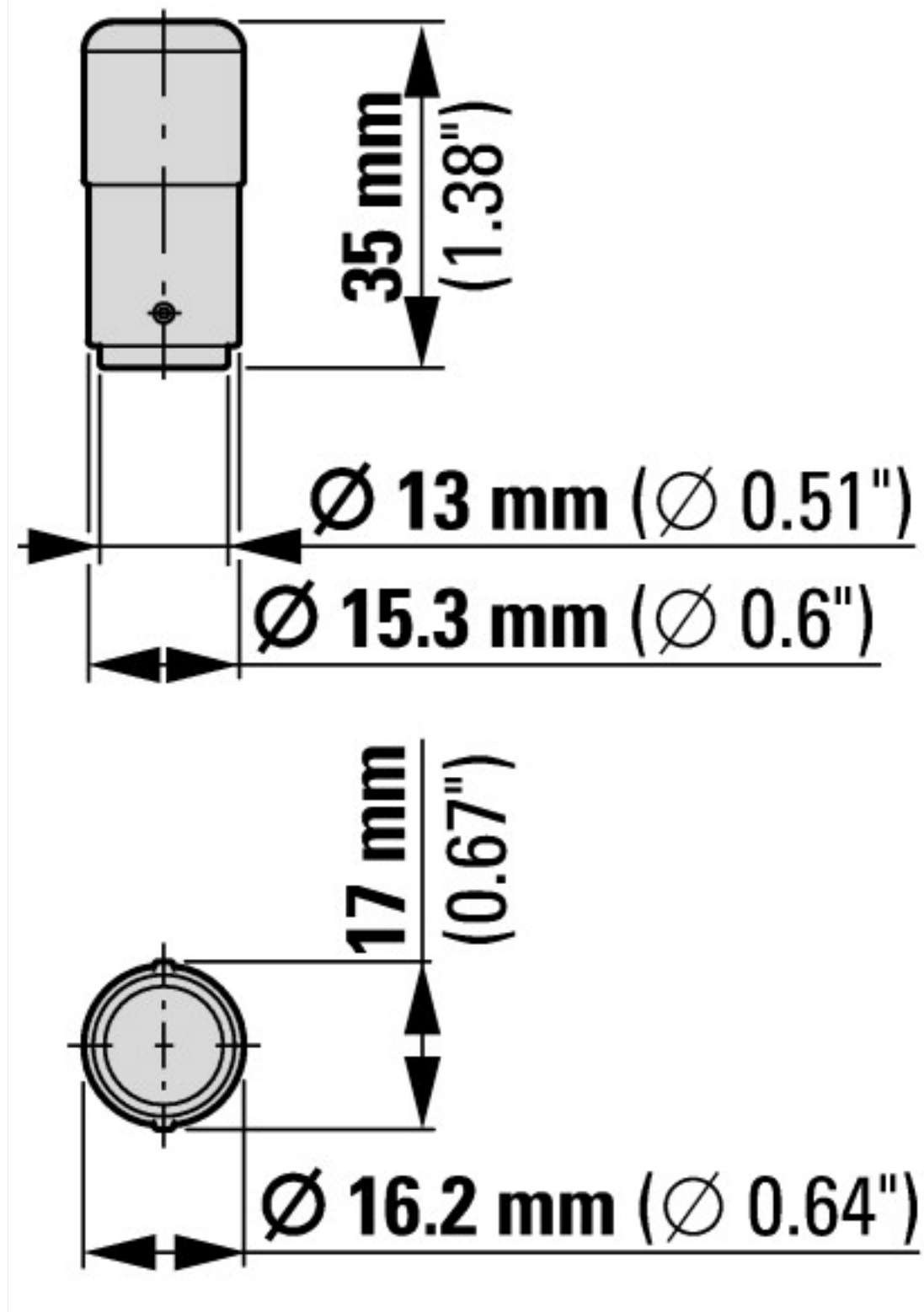
Design verification as per IEC/EN 61439

Technical data for design verification			
Operating ambient temperature min.		°C	-30
Operating ambient temperature max.		°C	60

Technical data ETIM 7.0

Lamps (EG000028) / Indication- and signalling lamp (EC000399)			
Electric engineering, automation, process control engineering / Lighting installation, device / Light medium / Indication- and signal lamp (ecl@ss10.0.1-27-11-06-31 [AKE242014])			
Lamp power		W	4 - 4
Lamp voltage		V	230 - 230
Luminous flux		lm	0
Socket			BA15d
Technology			Incandescent lamp
Lamp shape			Other
Halogen			No
Krypton			No
Xenon			No
Colour			None
Colour temperature		K	2800
Diameter		mm	0
Total length		mm	0
Suitable for torches			No
Suitable for pointer			Yes
Suitable for round flashing luminaire			Yes
Nominal current		mA	0
Average nominal lifespan		h	3000
Energy efficiency class			

Dimensions



Assets (links)

[Declaration of CE Conformity](#)

00002899

[Instruction Leaflets](#)

IL047005ZU2018_05