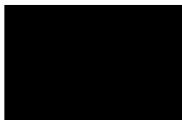




Base module;100-mm aluminum tube and foot

Part no. **SL4-PIB-100**
 Catalog No. **171297**
 Alternate Catalog No. **SL4-PIB-100**
 EL-Nummer (Norway) **4137533**

Delivery program

Product range		SL signal towers
Basic function		Base module
Connection technique		Push in terminals
Mounting type		for horizontal mounting
Fitted with		Base with aluminium tube and plastic foot including cover
Tube length		100 mm
Number of modules		max. 5 modules
Colour		black Aluminum color tube
		
For use with		SL4-L-... SL4-BL-... SL4-FL-... SL4-AP-...
Connection to SmartWire-DT		no

Technical data

General			
Standards			IEC/EN 60947-5-1
Climatic proofing			Damp heat, cyclic, to IEC 60068-2-30
Mounting position			As required
Mechanical shock resistance		g	> 15 according to IEC 60068-2-27 Shock duration 11 ms Sinusoidal
IEC degree of protection			IP66 IEC/EN 60529
Protection type UL			Type 4, 4X, 13
Cap colour			black Aluminum color tube
Ambient temperature		°C	-30 - +60
Number of signal elements			Max. 5 with standard base Max. 10 with base for mounting on both sides
Terminal capacity			
Solid or flexible conductor		mm ²	0.2 - 1.5
Solid or flexible conductor, with ferrule		mm ²	0,25 - 1,5
Flexible with ferrule with plastic collar		mm ²	0.25 - 0.75
			AWG 24 - AWG 16

Contacts

Rated impulse withstand voltage	U _{imp}	V AC	4000
Rated insulation voltage	U _i	V	250

Overvoltage category/pollution degree		III/3
modules		
Voltage range		24 V AC/DC \pm 10 % 110/120 V AC \pm 10 % 230/240 V AC \pm 10 %

Design verification as per IEC/EN 61439

Technical data for design verification		
Operating ambient temperature min.	°C	-30
Operating ambient temperature max.	°C	60

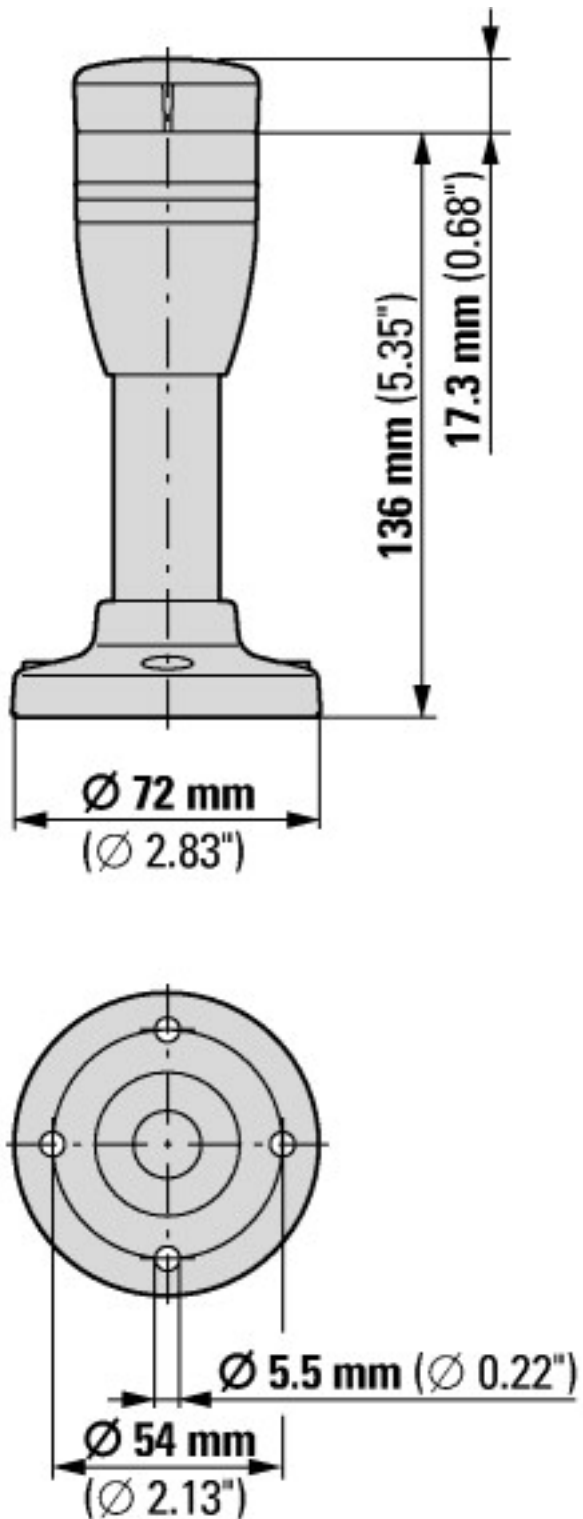
Technical data ETIM 7.0

Low-voltage industrial components (EG000017) / Connection module for signal tower (EC001152)		
Electric engineering, automation, process control engineering / Low-voltage switch technology / Command and alarm device / Signal column element, connection module (ecl@ss10.0.1-27-37-12-32 [AKF050014])		
Connection type auxiliary circuit		Spring clamp connection
Tube mounting possible		No
Bracket mounting possible		Yes
Floor mounting possible		Yes
Colour		Other
Suitable for AS interface		No

Approvals

Product Standards		IEC/EN 60947-5-1; UL 508; CSA-C22.2 No. 14-10; CSA-C22.2 No. 94-91; CE marking
UL File No.		E29184
UL Category Control No.		NKCR
CSA File No.		UL report applies to both US and Canada
CSA Class No.		NKCR7
North America Certification		UL listed, certified by UL for use in Canada
Degree of Protection		UL Type 4, 4X, 13

Dimensions



Assets (links)

Declaration of CE Conformity

00002899

Instruction Leaflets

IL047001ZU2018_05