



Cable gland, M20, RAL 7035, IP68

Part no. **V-M20**
 Catalog No. **206910**
 Alternate Catalog No. **XTPAXMCG20**
 EL-Nummer (Norway) **1782275**

Delivery program

Product range			General switchboard accessories
Accessories			Cable management
Product range			Accessories
Basic function accessories			Cable screw gland
Cable entry			M20
Hole diameter		mm	20,5
Outer cable diameter		mm	6 - 13
Example of application: NYM/NYY cable, 4-core		mm ²	H05VV-F4 x 2.5/3 x 4, NYM 5 x 1.5/5 x 2.5
Description			Flammability classification V2 according to UL94 With lock nut and built-in strain relief
Material			Polyamide Halogen free
Surface finish			RAL 7035
Information about equipment supplied			With lock nut and built-in strain relief
Degree of Protection			IP68 up to 5 bar (30 min)
Single unit/Complete unit			Single unit
Connection to SmartWire-DT			no

Technical data

General

Standards			IEC/EN 60947 VDE 0660
Climatic proofing			Damp heat, constant, to IEC 60068-2-78 Damp heat, cyclic, to IEC 60068-2-30
Ambient temperature			-25 - +70
Mounting position			As required
Overvoltage category/pollution degree			III/3
Degree of Protection			IP68 up to 5 bar (30 min)

Contacts

Rated insulation voltage	U _i	V	500
Overvoltage category/pollution degree			III/3

Material characteristics

Material			Polyamide Halogen free
Colour			Gray, RAL 7035
Temperature resistant			-20 °C - 100 °C, short-time up to approx. 120 °C
Chemical resistant			Resistant against : Acetone, petrol, paraffin, diesel, grease, oil, solvent for paints and varnishes
Danger of stress fracture			low
Flame retardant			Glow wire test 750 °C according to EN 60695-2-11
Flammability classification according to UL94			V2

Mechanical variables

Overvoltage category/pollution degree			III/3
---------------------------------------	--	--	-------

Design verification as per IEC/EN 61439

Technical data for design verification			
Operating ambient temperature min.		°C	-25
Operating ambient temperature max.		°C	70

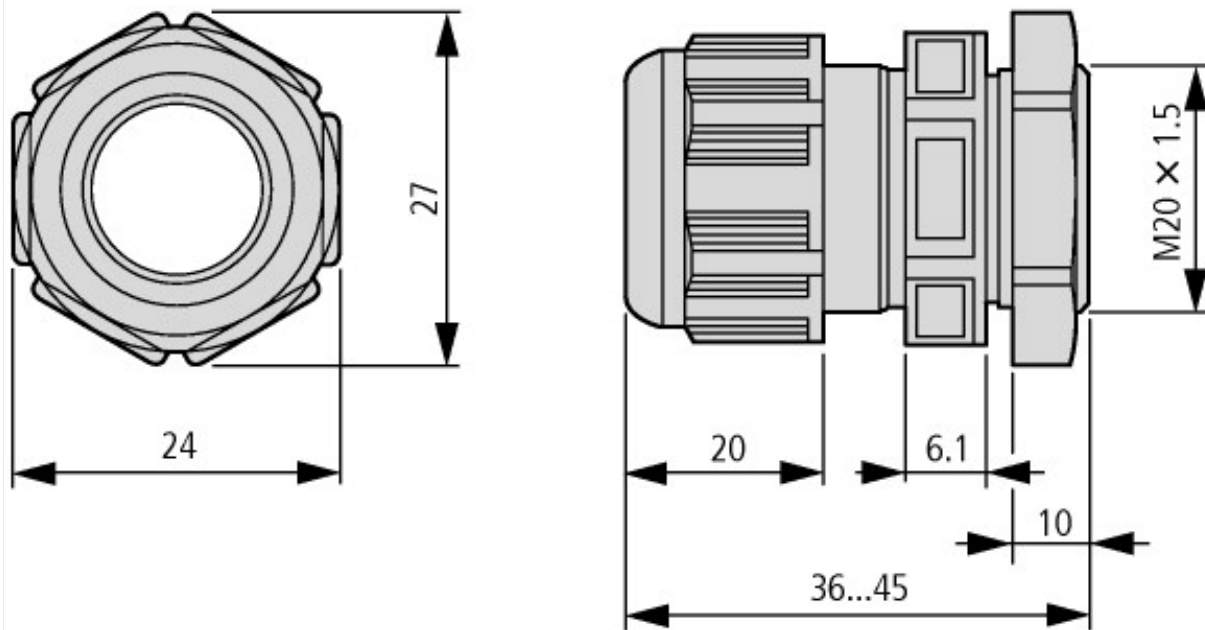
Technical data ETIM 7.0

Cable and wire entry systems (EG000009) / Cable gland (EC000441)		
Electric engineering, automation, process control engineering / Electrical installation, device / Connection devices / Screwed cable gland (electr.) (ec1@ss10.0.1-27-14-44-32 [AFR797003])		
Thread type		Metric
Nominal thread size metric/PG		20
Nominal thread size inch/gas pipe thread		Other
Pitch thread	mm	1.5
Thread length	mm	10
Wrench width	mm	30
Hexagon angular dimension	mm	0
Suitable for cable diameter	mm	6 - 13
Material		Plastic
Material quality		Polyamide (PA)
Surface protection		Untreated
Halogen free		Yes
Glass-fibre reinforced		No
Degree of protection (IP)		IP68
Shock resistant		Yes
Colour		Light grey
RAL-number		7035
Bend radius protection/trumpet flare		No
With locknut		Yes
Snapping in opening		No
Model		Straight
Multi seal area		No
Flat cable coupling		No
With strain relief		Yes
Type of sealing		Cut-out ring
Separable screw gland		No
Working temperature	°C	-20 - 120
Explosion-tested version		No
For Ex-zone gas		None
For Ex-Zone dust		None
For armoured cable		No
EMC-version		No
Screened		No

Approvals

Specially designed for North America		No
Degree of Protection		UL/CSA Type 3R, 4X, 12, 13

Dimensions



3 x M20 (PG 13.5) lateral mounting
1 x M16 in base

Additional product information (links)

Motor starters and "Special Purpose Ratings" for the North American market

http://www.eaton.eu/ecm/groups/public/@pub/@europe/@electrical/documents/content/pct_3258146.pdf

Busbar Component Adapters for modern Industrial control panels

http://www.moeller.net/binary/ver_techpapers/ver960en.pdf