



Mini compact distribution board, 1-row 4 SU, IP30

Part no. MINI-4-T
Article no. 177073
Catalog No. MINI-4-T

Delivery program

| | | | |
|--|-------|--|---|
| Basic function | | | Basic device |
| Product function | | | Installation distribution boards |
| Product range | | | MINI DB0 |
| Design | | | Surface mounted |
| Installation site | | | Indoor |
| Type of installation | | | Surface mounting |
| Door/Flap | | | Transparent |
| Degree of Protection | | | IP30 |
| Colour | | | White |
| Module rack | | | Single-rail |
| Shroud for protection against accidental contact | | | Plastic |
| Rows | Count | | 1 |
| Module units per row | | | 4 |
| Description | | | IP30 Protection Class II Plastic housing white (RAL 9003) |
| Cable entries | | | Metric cable entries on top and bottom, side, back plate |
| PE and N terminals design | | | Without |
| Equipment supplied | | | Basic device |

Technical data

General

| | | | |
|---|----------------|------|------------------------|
| Standards | | | IEC/EN 62208 |
| RoHS (in accordance with Directive 2002/95/EC of the European Parliament and Council) | | | conform |
| Ambient temperature | | °C | -5 - +40 |
| Degree of Protection | | | IP30 |
| Protection class | | | II (totally insulated) |
| Rated operational voltage | U _e | V AC | 400 |
| Rated frequency | f | Hz | 50 |

Material characteristics

| | | | |
|----------|--|--|------------------|
| Material | | | ABS (plastic) |
| Colour | | | white (RAL 9003) |

Material properties

| | | | |
|-------------------|--|--|------|
| Mechanical | | | |
| Impact resistance | | | IK05 |

Design verification as per IEC/EN 61439

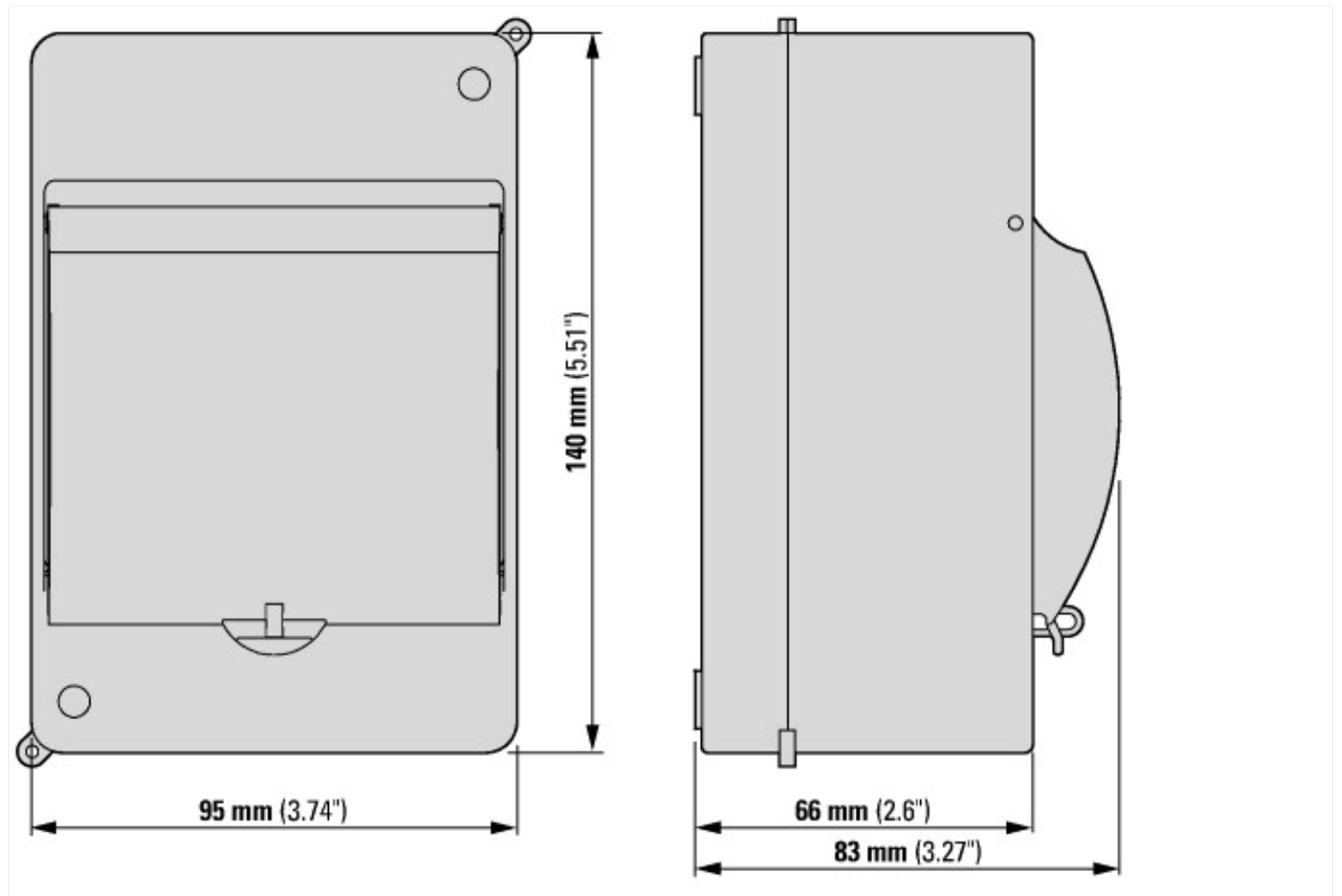
| | | | |
|---|----------------|----|--|
| Technical data for design verification | | | |
| Heat dissipation, at an ambient temperature of 35°C, delta T: 20 degrees, calculated as per IEC 60890 | | | |
| Individual enclosure for wall mounting | P _v | CO | 10 |
| Heat dissipation, at an ambient temperature of 35°C, delta T: 35 degrees, calculated as per IEC 60890 | | | |
| Individual enclosure for wall mounting | P _v | CO | 12 |
| IEC/EN 61439 design verification | | | |
| 10.2 Strength of materials and parts | | | |
| 10.2.2 Corrosion resistance | | | Meets the product standard's requirements. |
| 10.2.3.1 Verification of thermal stability of enclosures | | | Meets the product standard's requirements. |
| 10.2.3.2 Verification of resistance of insulating materials to normal heat | | | Meets the product standard's requirements. |

| | | | |
|--|--|--|--|
| 10.2.3.3 Verification of resistance of insulating materials to abnormal heat and fire due to internal electric effects | | | 650 °C; meets the product standard's requirements. |
| 10.2.4 Resistance to ultra-violet (UV) radiation | | | Not relevant to indoor installations. |
| 10.2.5 Lifting | | | Does not apply to enclosures without lifting aids. |
| 10.2.6 Mechanical impact | | | IK05 |
| 10.2.7 Inscriptions | | | Meets the product standard's requirements. |
| 10.3 Degree of protection of ASSEMBLIES | | | IP30 |
| 10.4 Clearances and creepage distances | | | Is the panel builder's responsibility. |
| 10.5 Protection against electric shock | | | Protection class 2, therefore not applicable. |
| 10.6 Incorporation of switching devices and components | | | Is the panel builder's responsibility. |
| 10.7 Internal electrical circuits and connections | | | Is the panel builder's responsibility. |
| 10.8 Connections for external conductors | | | Is the panel builder's responsibility. |
| 10.9 Insulation properties | | | |
| 10.9.2 Power-frequency electric strength | | | $U_i = 400 \text{ V AC}$ |
| 10.9.3 Impulse withstand voltage | | | 2.8 kV |
| 10.9.4 Testing of enclosures made of insulating material | | | Meets the product standard's requirements. |
| 10.10 Temperature rise | | | The panel builder is responsible for the temperature rise calculation. Eaton will provide heat dissipation data for the devices. |
| 10.11 Short-circuit rating | | | Is the panel builder's responsibility. |
| 10.12 Electromagnetic compatibility | | | Is the panel builder's responsibility. |
| 10.13 Mechanical function | | | Meets the product standard's requirements. |

Technical data ETIM 6.0

| | | | |
|--|--|----|------------------|
| Distribution boards (EG000023) / Small distribution board (EC000214) | | | |
| Electric engineering, automation, process control engineering / Electrical installation, device / Electrical distribution system (incl. small distribution board) / Small distribution board (ecl@ss8.1-27-14-24-09 [ACN387008]) | | | |
| Mounting method | | | Surface mounting |
| Number of rows | | | 1 |
| Width in number of modular spacings | | | 4 |
| Type of cover | | | Door |
| Cover model | | | Closed |
| Transparent cover/door | | | Yes |
| Material housing | | | Plastic |
| Height | | mm | 140 |
| Width | | mm | 95 |
| Depth | | mm | 83 |
| Built-in depth | | mm | 70 |
| Internal depth | | mm | 60 |
| DIN-rail | | | Yes |
| With mounting plate | | | No |
| Extension possible | | | No |
| EMC-version | | | Yes |
| Colour | | | White |
| RAL-number | | | 9003 |
| Degree of protection (IP) | | | IP30 |
| With lock | | | No |

Dimensions



Additional product information (links)

Product overview (Web)

<http://www.eaton.eu/DE/Europe/Electrical/ProductsServices/Residential/index.htm>