



**On-Off switch, 3 pole, 100 A, Lockable in the 0 (Off) position, service distribution board mounting**

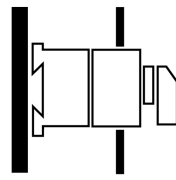
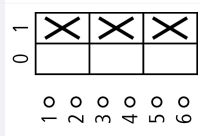
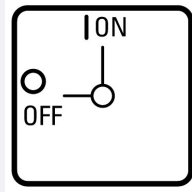
**Part no. P3-100/IVS**  
**Catalog No. 081439**

**EL-Nummer (Norway) 0001456129**



Similar to illustration

**Delivery program**

|  |                |     |   |
|--|----------------|-----|---|
| Product range                                      |                |     | On-Off switch   |
| Part group reference                               |                |     | P3<br>with black thumb grip and front plate   |
| Information about equipment supplied               |                |     | Auxiliary contact or neutral conductor fitted by user.  |
| Number of poles                                    |                |     | 3 pole  |
| <b>Auxiliary contacts</b>                          |                |     |   |
|  |                | N/O | 0   |
|  |                | N/C | 0   |
| Locking facility                                   |                |     | Lockable in the 0 (Off) position  |
| Degree of Protection                               |                |     | Front IP30  |
| Design   |                |     | service distribution board mounting   |
|  |                |     |                   |
| Contact sequence                                   |                |     |                   |
| Front plate no.                                    |                |     | <br><b>FS 908</b> |
| <b>Motor rating AC-23A, 50 - 60 Hz</b>             |                |     |   |
| 400 V  | P              | kW  | 55  |
| Rated uninterrupted current                        | I <sub>u</sub> | A   | 100   |
| Note on rated uninterrupted current I <sub>u</sub> |                |     | Rated uninterrupted current I <sub>u</sub> is specified for max. cross-section.                       |

**Technical data**

|                     |  |    |  |
|---------------------|--|----|--|
| <b>General</b>      |  |    |  |
| Standards           |  |    | IEC/EN 60947, VDE 0660, IEC/EN 60204, CSA, UL<br>Switch-disconnector according to IEC/EN 60947-3 |
| Climatic proofing   |  |    | Damp heat, constant, to IEC 60068-2-78<br>Damp heat, cyclic, to IEC 60068-2-30                   |
| Ambient temperature |  |    |  |
| Open                |  | °C | -25 - +50  |

|                                       |           |      |             |
|---------------------------------------|-----------|------|-------------|
| Enclosed                              |           | °C   | -25 - +40   |
| Overtoltage category/pollution degree |           |      | III/3       |
| Rated impulse withstand voltage       | $U_{imp}$ | V AC | 6000        |
| Mechanical shock resistance           |           | g    | 15          |
| Mounting position                     |           |      | As required |

## Contacts

|   |          |           |  |
|---|----------|-----------|--|
| Mechanical variables                                |          |           |  |
| Number of poles                                     |          |           | 3 pole   |
| Auxiliary contacts                                  |          |           |  |
|   |          | N/O       | 0  |
|   |          | N/C       | 0  |
| Electrical characteristics                          |          |           |  |
| Rated operational voltage                           | $U_e$    | V AC      | 690  |
| Rated uninterrupted current                         | $I_u$    | A         | 100  |
| Note on rated uninterrupted current $I_u$           |          |           | Rated uninterrupted current $I_u$ is specified for max. cross-section. |
| Load rating with intermittent operation, class 12   |          |           |  |
| AB 25 % DF  |          | $x I_e$   | 2  |
| AB 40 % DF  |          | $x I_e$   | 1.6  |
| AB 60 % DF  |          | $x I_e$   | 1.3  |
| Short-circuit rating                                |          |           |  |
| Fuse  |          | A gG/gL   | 100  |
| Rated short-time withstand current (1 s current)    | $I_{cw}$ | $A_{rms}$ | 2000   |
| Note on rated short-time withstand current $I_{cw}$ |          |           | Current for a time of 1 second   |
| Rated conditional short-circuit current             | $I_q$    | kA        | 4  |

## Switching capacity

|   |              |          |       |
|---|--------------|----------|-------|
| $\cos \varphi$ rated making capacity as per IEC 60947-3 |              | A        | 950   |
| Rated breaking capacity $\cos \varphi$ to IEC 60947-3   |              | A        |       |
| 230 V   |              | A        | 760   |
| 400/415 V   |              | A        | 740   |
| 500 V   |              | A        | 880   |
| 690 V   |              | A        | 520   |
| Safe isolation to EN 61140                              |              |          |       |
| between the contacts                                    |              | V AC     | 440   |
| Current heat loss per contact at $I_e$                  |              | W        | 7.5   |
| Lifespan, mechanical                                    | Operations   | $x 10^6$ | > 0.1 |
| Maximum operating frequency                             | Operations/h |          | 1200  |
| AC  |              |          |       |
| AC-3  |              |          |       |
| Rating, motor load switch                               | P            | kW       |       |
| 220 V 230 V   | P            | kW       | 22    |
| 400 V 415 V   | P            | kW       | 37    |
| 500 V   | P            | kW       | 45    |
| 690 V   | P            | kW       | 37    |
| Rated operational current motor load switch             |              |          |       |
| 230 V   | $I_e$        | A        | 71    |
| 400V 415 V  | $I_e$        | A        | 71    |
| 500 V   | $I_e$        | A        | 65    |
| 690 V   | $I_e$        | A        | 23.8  |
| AC-21A  |              |          |       |
| Rated operational current switch                        |              |          |       |
| 440 V   | $I_e$        | A        | 100   |
| AC-23A  |              |          |       |
| Motor rating AC-23A, 50 - 60 Hz                         | P            | kW       |       |
| 230 V   | P            | kW       | 30    |

|   |                   |                |   |
|---|-------------------|----------------|---|
| 400 V 415 V                                   | P                 | kW             | 55  |
| 500 V   | P                 | kW             | 55  |
| 690 V   | P                 | kW             | 55  |
| Rated operational current motor load switch   |                   |                |   |
| 230 V   | I <sub>e</sub>    | A              | 100   |
| 400 V 415 V                                   | I <sub>e</sub>    | A              | 100   |
| 500 V   | I <sub>e</sub>    | A              | 96  |
| 690 V   | I <sub>e</sub>    | A              | 68  |
| DC  |                   |                |   |
| DC-1, Load-break switches L/R = 1 ms          |                   |                |   |
| Rated operational current                     | I <sub>e</sub>    | A              | 100   |
| Voltage per contact pair in series            |                   | V              | 60  |
| DC-23A, motor load switch L/R = 15 ms         |                   |                |   |
| 24 V  |                   |                |   |
| Rated operational current                     | I <sub>e</sub>    | A              | 50  |
| Contacts                                      |                   | Quantity       | 1   |
| 48 V  |                   |                |   |
| Rated operational current                     | I <sub>e</sub>    | A              | 50  |
| Contacts                                      |                   | Quantity       | 2   |
| 60 V  |                   |                |   |
| Rated operational current                     | I <sub>e</sub>    | A              | 50  |
| Contacts                                      |                   | Quantity       | 2   |
| 120 V   |                   |                |   |
| Rated operational current                     | I <sub>e</sub>    | A              | 25  |
| Contacts                                      |                   | Quantity       | 3   |
| Control circuit reliability at 24 V DC, 10 mA | Fault probability | H <sub>F</sub> | < 10 <sup>-5</sup> , < 1 fault in 100000 operations |

### Terminal capacities

|                                      |  |                 |                                  |
|--------------------------------------|--|-----------------|----------------------------------|
| Solid or stranded                    |  | mm <sup>2</sup> | 1 x (2,5 - 35)<br>2 x (2,5 - 10) |
| Flexible with ferrules to DIN 46228  |  | mm <sup>2</sup> | 1 x (1.5 - 25)<br>2 x (1.5 - 6)  |
| Terminal screw                       |  |                 | M5                               |
| Tightening torque for terminal screw |  | Nm              | 3                                |

### Technical safety parameters:

|       |  |  |   |
|-------|--|--|---|
| Notes |  |  | B10 <sub>d</sub> values as per EN ISO 13849-1, table C1 |
|-------|--|--|---|

### Rating data for approved types

|                                  |                |      |  |
|----------------------------------|----------------|------|--|
| Contacts                         |                |      |  |
| Rated operational voltage        | U <sub>e</sub> | V AC | 600  |
| Rated uninterrupted current max. |                |      |  |
| Main conducting paths            |                |      |  |
| General use                      |                | A    | 100  |
| Notes                            |                |      | If used with neutral conductor: I <sub>U</sub> = max. 90 A |
| Auxiliary contacts               |                |      |  |
| General Use                      | I <sub>U</sub> | A    | 10   |
| Pilot Duty                       |                |      | A 600<br>P 600   |
| Switching capacity               |                |      |  |
| Maximum motor rating             |                |      |  |
| Single-phase                     |                |      |  |
| 120 V AC                         |                | HP   | 5  |
| 200 V AC                         |                | HP   | 10   |
| 240 V AC                         |                | HP   | 15   |
| Three-phase                      |                |      |  |
| 200 V AC                         |                | HP   | 20   |
| 240 V AC                         |                | HP   | 25   |
| 480 V AC                         |                | HP   | 60   |

|  |       |        |
|--|-------|--------|
| 600 V AC                                 | HP    | 75     |
| Short Circuit Current Rating             | SCCR  |        |
| Basic Rating                             | kA    | 10     |
| max. Fuse                                | A     | 150    |
| Terminal capacity                        |       |        |
| Solid or flexible conductor with ferrule | AWG   | 14 - 2 |
| Terminal screw                           |       | M5     |
| Tightening torque                        | lb-in | 26.5   |

## Design verification as per IEC/EN 61439

|  |            |    |  |
|--|------------|----|--|
| Technical data for design verification   |            |    |  |
| Rated operational current for specified heat dissipation   | $I_n$      | A  | 100  |
| Heat dissipation per pole, current-dependent   | $P_{vid}$  | W  | 7.5  |
| Equipment heat dissipation, current-dependent  | $P_{vid}$  | W  | 0  |
| Static heat dissipation, non-current-dependent   | $P_{vs}$   | W  | 0  |
| Heat dissipation capacity  | $P_{diss}$ | W  | 0  |
| Operating ambient temperature min.   |            | °C | -25  |
| Operating ambient temperature max.   |            | °C | 50   |
| IEC/EN 61439 design verification   |            |    |  |
| 10.2 Strength of materials and parts   |            |    |  |
| 10.2.2 Corrosion resistance  |            |    | Meets the product standard's requirements.   |
| 10.2.3.1 Verification of thermal stability of enclosures   |            |    | Meets the product standard's requirements.   |
| 10.2.3.2 Verification of resistance of insulating materials to normal heat   |            |    | Meets the product standard's requirements.   |
| 10.2.3.3 Verification of resistance of insulating materials to abnormal heat and fire due to internal electric effects |            |    | Meets the product standard's requirements.   |
| 10.2.4 Resistance to ultra-violet (UV) radiation   |            |    | Meets the product standard's requirements.   |
| 10.2.5 Lifting   |            |    | Does not apply, since the entire switchgear needs to be evaluated.   |
| 10.2.6 Mechanical impact   |            |    | Does not apply, since the entire switchgear needs to be evaluated.   |
| 10.2.7 Inscriptions  |            |    | Meets the product standard's requirements.   |
| 10.3 Degree of protection of ASSEMBLIES  |            |    | Does not apply, since the entire switchgear needs to be evaluated.   |
| 10.4 Clearances and creepage distances   |            |    | Meets the product standard's requirements.   |
| 10.5 Protection against electric shock   |            |    | Does not apply, since the entire switchgear needs to be evaluated.   |
| 10.6 Incorporation of switching devices and components   |            |    | Does not apply, since the entire switchgear needs to be evaluated.   |
| 10.7 Internal electrical circuits and connections  |            |    | Is the panel builder's responsibility.   |
| 10.8 Connections for external conductors   |            |    | Is the panel builder's responsibility.   |
| 10.9 Insulation properties   |            |    |  |
| 10.9.2 Power-frequency electric strength   |            |    | Is the panel builder's responsibility.   |
| 10.9.3 Impulse withstand voltage   |            |    | Is the panel builder's responsibility.   |
| 10.9.4 Testing of enclosures made of insulating material   |            |    | Is the panel builder's responsibility.   |
| 10.10 Temperature rise   |            |    | The panel builder is responsible for the temperature rise calculation. Eaton will provide heat dissipation data for the devices. |
| 10.11 Short-circuit rating   |            |    | Is the panel builder's responsibility. The specifications for the switchgear must be observed.                                   |
| 10.12 Electromagnetic compatibility  |            |    | Is the panel builder's responsibility. The specifications for the switchgear must be observed.                                   |
| 10.13 Mechanical function  |            |    | The device meets the requirements, provided the information in the instruction leaflet (IL) is observed.                         |

## Technical data ETIM 7.0

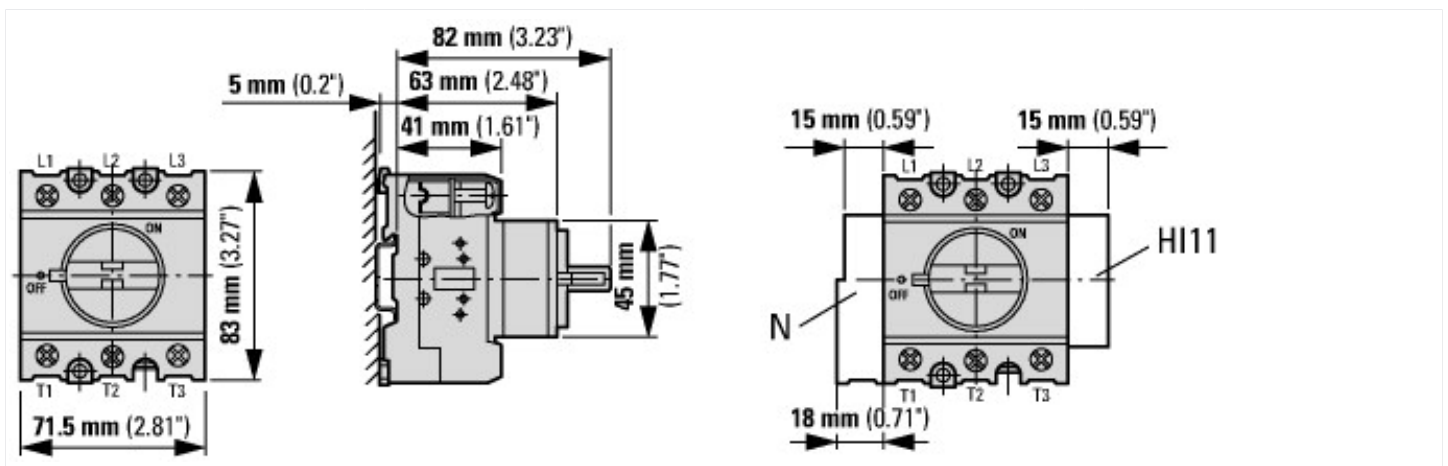
|   |  |  |    |
|---|--|--|----|
| Low-voltage industrial components (EG000017) / Switch disconnector (EC000216)   |  |  |    |
| Electric engineering, automation, process control engineering / Low-voltage switch technology / Off-load switch, circuit breaker, control switch / Switch disconnector (ecl@ss10.0.1-27-37-14-03 [AKF060013]) |  |  |    |
| Version as main switch  |  |  | No |
| Version as maintenance-/service switch  |  |  | No |
| Version as safety switch  |  |  | No |
| Version as emergency stop installation  |  |  | No |
| Version as reversing switch   |  |  | No |

|   |    |  |
|---|----|--|
| Number of switches                                      |    | 1  |
| Max. rated operation voltage Ue AC                      | V  | 690                                      |
| Rated operating voltage                                 | V  | 690 - 690                                |
| Rated permanent current Iu                              | A  | 100                                      |
| Rated permanent current at AC-23, 400 V                 | A  | 100                                      |
| Rated permanent current at AC-21, 400 V                 | A  | 100                                      |
| Rated operation power at AC-3, 400 V                    | kW | 37                                       |
| Rated short-time withstand current Icw                  | kA | 2  |
| Rated operation power at AC-23, 400 V                   | kW | 55                                       |
| Switching power at 400 V                                | kW | 55                                       |
| Conditioned rated short-circuit current Iq              | kA | 4  |
| Number of poles   |    | 3  |
| Number of auxiliary contacts as normally closed contact |    | 0  |
| Number of auxiliary contacts as normally open contact   |    | 0  |
| Number of auxiliary contacts as change-over contact     |    | 0  |
| Motor drive optional                                    |    | No                                       |
| Motor drive integrated                                  |    | No                                       |
| Voltage release optional                                |    | No                                       |
| Device construction                                     |    | Built-in device fixed built-in technique |
| Suitable for ground mounting                            |    | No                                       |
| Suitable for front mounting 4-hole                      |    | No                                       |
| Suitable for front mounting centre                      |    | No                                       |
| Suitable for distribution board installation            |    | Yes                                      |
| Suitable for intermediate mounting                      |    | No                                       |
| Colour control element                                  |    | Black                                    |
| Type of control element                                 |    | Toggle                                   |
| Interlockable   |    | No                                       |
| Type of electrical connection of main circuit           |    | Screw connection                         |
| Degree of protection (IP), front side                   |    | IP30                                     |
| Degree of protection (NEMA)                             |    | 12                                       |

## Approvals

|                             |  |  |
|-----------------------------|--|--|
| Product Standards           |  | UL 60947-4-1; CSA - C22.2 No. 60947-4-1-14; CSA-C22.2 No. 94; IEC/EN 60947-3; CE marking |
| UL File No.                 |  | E36332   |
| UL Category Control No.     |  | NLRV   |
| CSA File No.                |  | 12528  |
| CSA Class No.               |  | 3211-05  |
| North America Certification |  | UL listed, CSA certified   |
| Suitable for                |  | Branch circuits, suitable as motor disconnect  |
| Degree of Protection        |  | IEC: IP65; UL/CSA Type 1, 12   |

## Dimensions





**$d = 4 - 8 \text{ mm}$**

**$b + d \leq 47 \text{ mm}$**

**$d = 0.16 - 0.31''$**

**$b + d \leq 1.85''$**

≤ 3 padlocks

### Assets (links)

[Declaration of CE Conformity](#)

00003104

[Instruction Leaflets](#)

IL03802005Z2018\_05