

# Product Data sheet

Part no.	Name	Type
1306872	Bracket for Central Support S-TOE CS-CH-400 HDG	S-TOE CS-CH-400

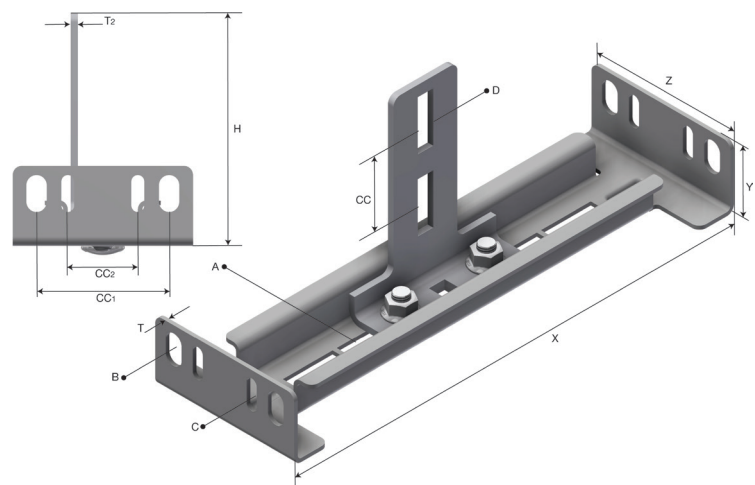
Description: TOE/LOE Central Support bracket with arm. Can also be used for pipe support.



Additional information: Fix ladder to bracket with 2 pc. of screws which order separately. For LOE-55 and LOE-75, 2 pc. M6x12. For LOE-100 and TOE-100, 2 pc. M10x20.

## Characteristics

Name	Value
Weight (kg)	1.4
CC (mm)	50
CC1 (mm)	72
CC2 (mm)	38
A Hole Size (mm)	11x51
B Hole Size (mm)	7x20
C Hole Size (mm)	11x20
D Hole Size (mm)	11x35
T Material Thickness (mm)	2.5
T1 Material Thickness (mm)	4.0
H Height (mm)	126.5
X (mm)	410
Y (mm)	43
Z (mm)	98



## Product packaging information

F-PAK GTIN	Single piece	
------------	--------------	--