

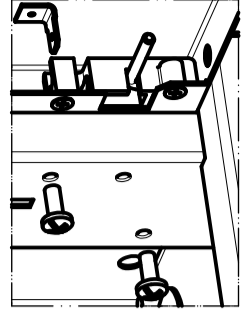


Powering Business Worldwide

Detail1
M 1:2

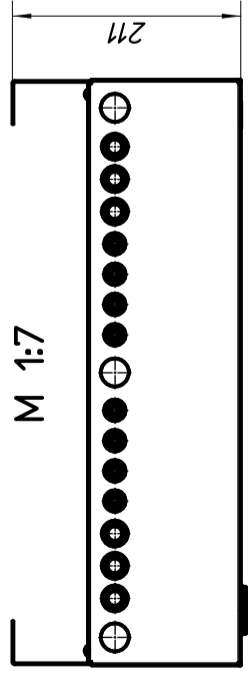
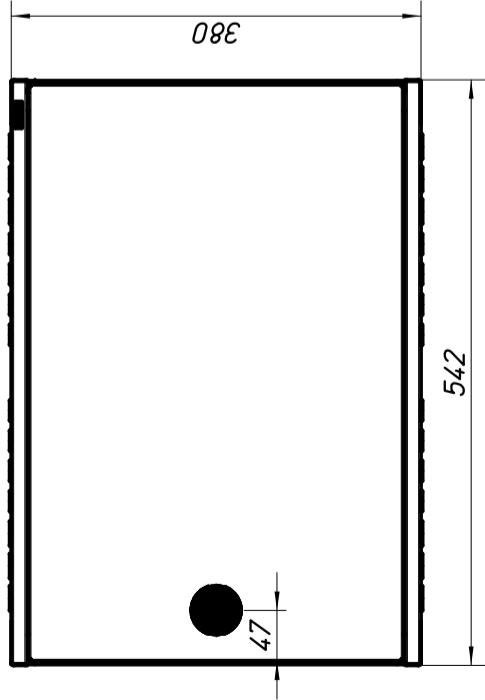
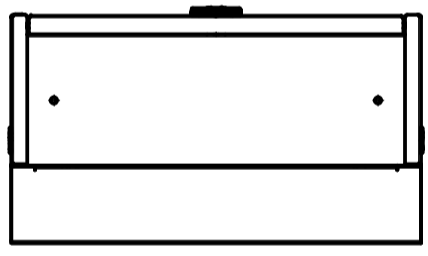
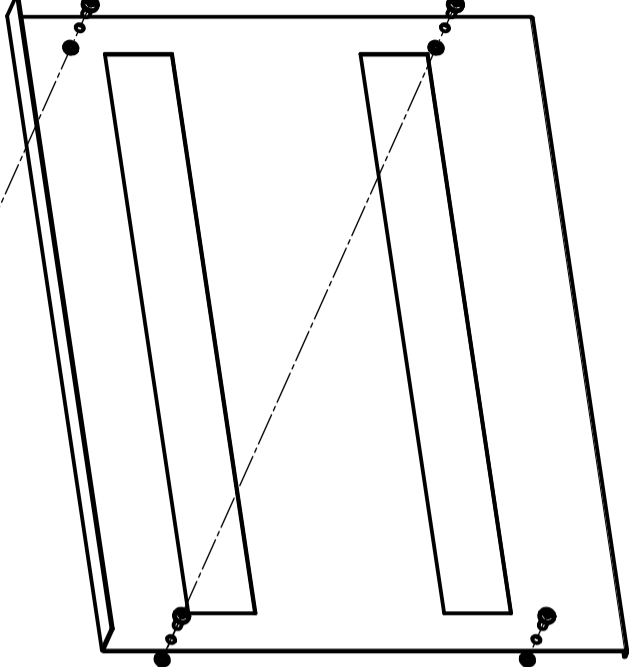
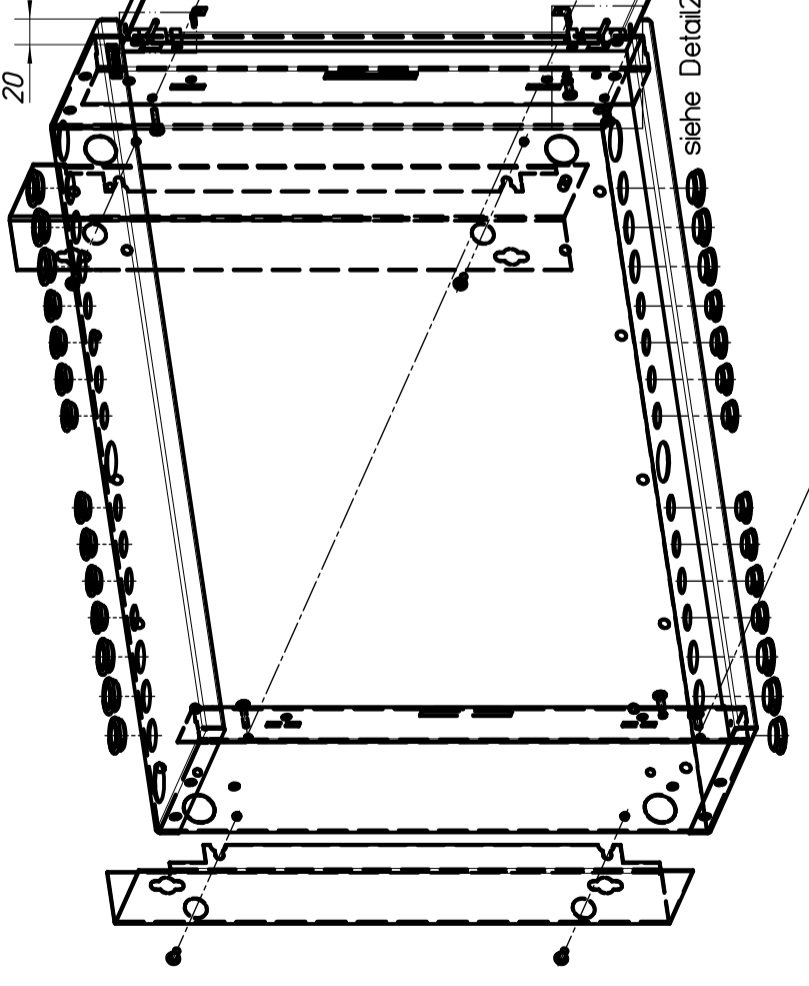


Detail2
M 1:2



siehe Detail1

siehe Detail2



M 1:7

M 1:7

M 1:7

Gezeichnet:	SGM	Datum:	2010.09.09
CAD	XXX		

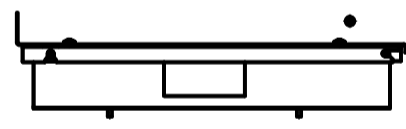
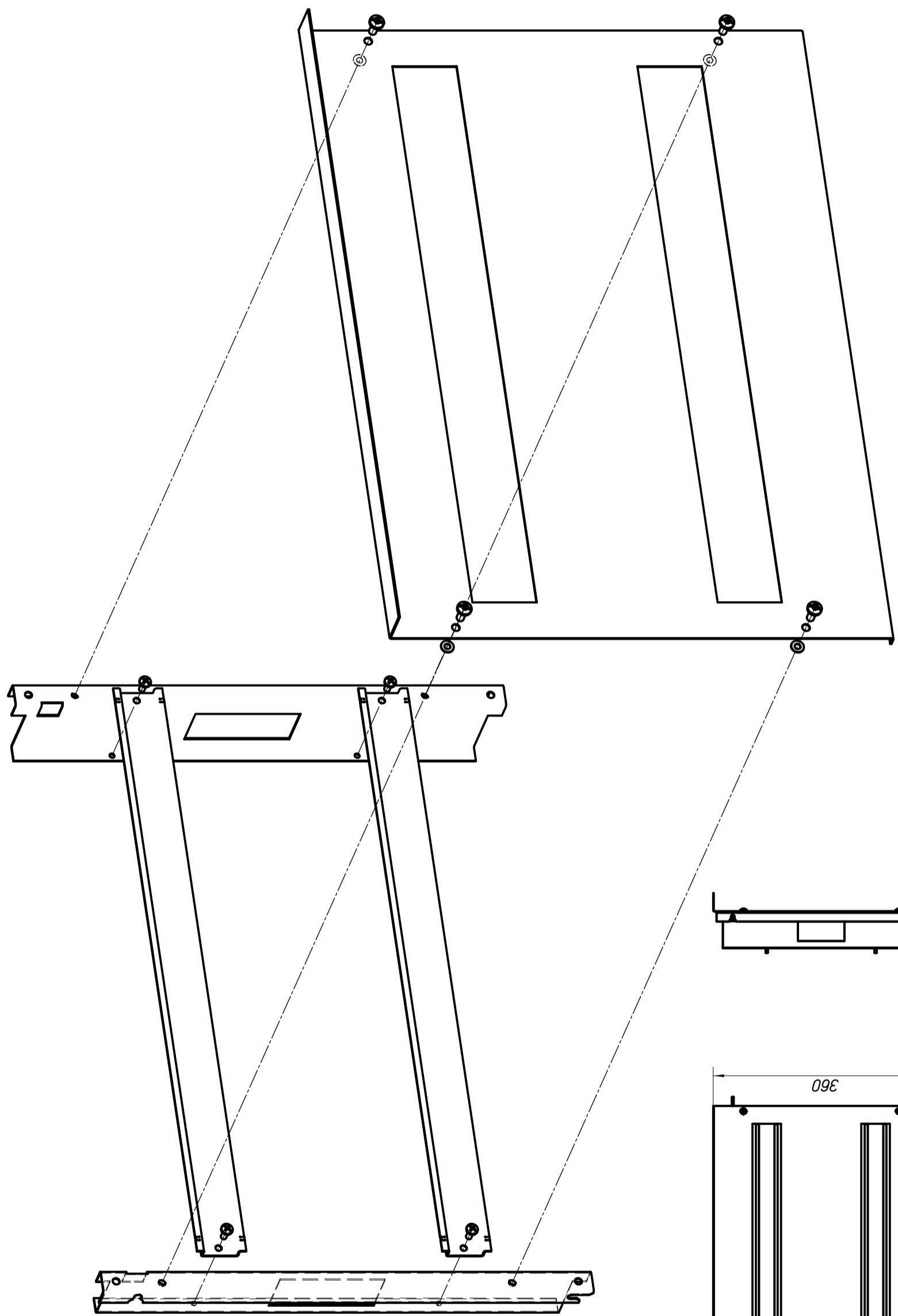
Maßstab: 1:5
IKT-BI-3854/SKAP/INSERT-147523

Eaton Electrical Group
 Moeller Gebäudeautomation GmbH
 Eugenia 1
 3943 Schrems, Austria
 TEL: +43 2853 702-0*, Fax: +43 2853 76609

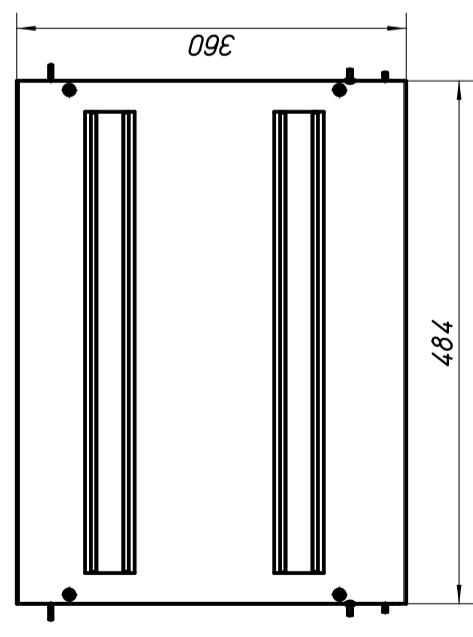


CONFIDENTIAL AND PROPRIETARY THIS DOCUMENT INCLUDING THE DRAWING AND INFORMATION CONTAINED THEREON IS CONFIDENTIAL AND IS THE EXCLUSIVE PROPERTY OF EATON GMBH. HEREBY ON LOAN AND SUBJECT TO RECALL BY EATON AT ANY TIME. BY TAKING POSSESSION OF THIS DOCUMENT, THE RECIPIENT ACKNOWLEDGES AND AGREES THAT THE DOCUMENT CANNOT BE USED IN ANY MANNER ADVERSE TO THE INTERESTS OF EATON AND THAT NO PORTION OF THIS DRAWING MAY BE REPRODUCED OR OTHERWISE REPRODUCED WITHOUT THE PRIOR WRITTEN CONSENT OF EATON IN THE CASE OF CONFLICTING CONTRACTUAL PROVISIONS. THIS NOTICE SHALL GOVERN THE STATUS OF THIS DOCUMENT.

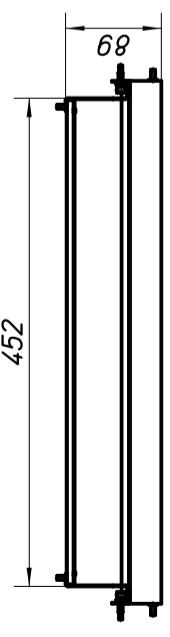
© 2010 Eaton GmbH - All Rights Reserved.



M 1:7



M 1:7



M 1:7

CONFIDENTIAL AND PROPRIETARY
 NOTICE TO PERSONS RECEIVING THIS DOCUMENT
 THIS DOCUMENT, INCLUDING THE DRAWING AND INFORMATION CONTAINED THEREON, IS CONFIDENTIAL AND IS THE EXCLUSIVE PROPERTY OF EATON GMBH.
 ANY REPRODUCTION, COPIING, OR DISSEMINATION OF THIS DOCUMENT, IN WHOLE OR IN PART, WITHOUT THE WRITTEN CONSENT OF EATON GMBH, IS STRICTLY PROHIBITED.
 ANY UNAUTHORIZED USE OF THIS DOCUMENT, INCLUDING THE DRAWING AND INFORMATION CONTAINED THEREON, IS STRICTLY PROHIBITED.
 THIS NOTICE SHALL GOVERN THE STATUS OF THIS DOCUMENT.
 © 2010 Eaton GmbH - All Rights Reserved.

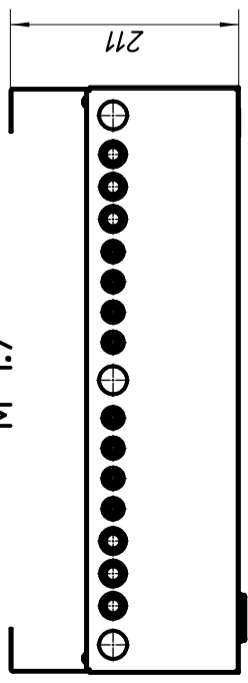
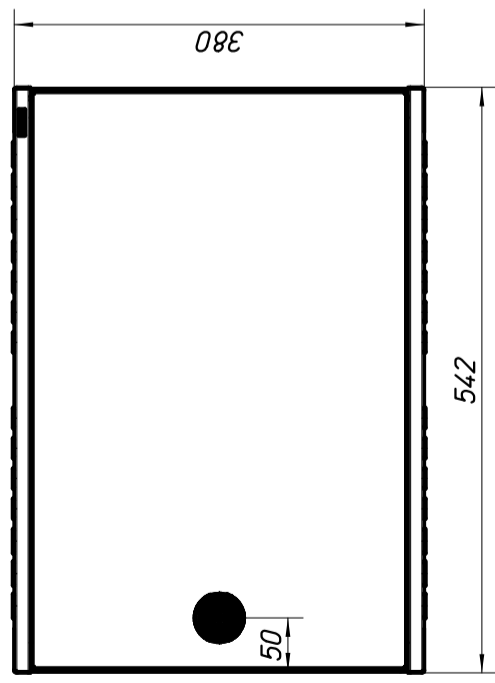
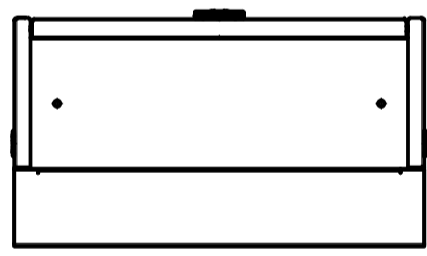
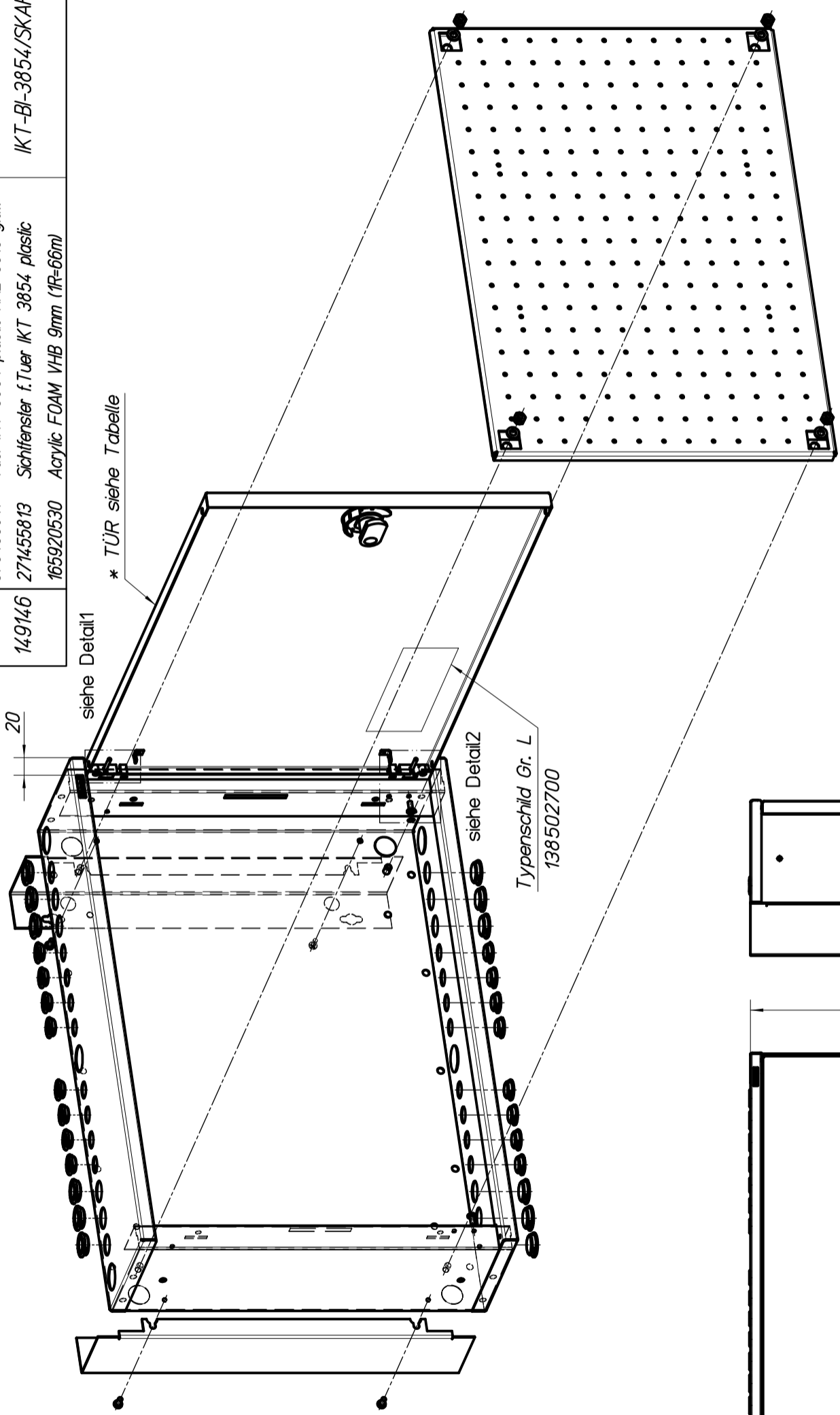
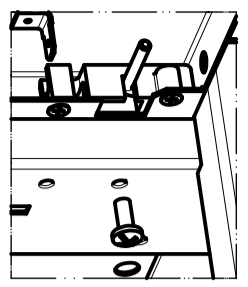
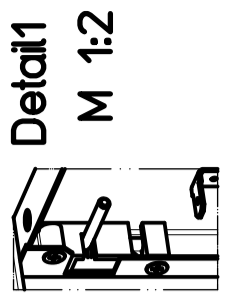
Gezeichnet:	SGM	Datum:	2010.09.09
CAD	XXX		
Maßstab:	1:3		

EATON
 Powering Business Worldwide
 Eaton Electrical Group
 Moeller Gebäudeautomation GmbH
 Eugenia 1
 3943 Schrems, Austria
 TEL: +43 2853 702-0*, Fax: +43 2853 76509

IKTA-INSERT/BI-3854-147727

CONFIDENTIAL AND PROPRIETARY
 NOTICE TO PERSONS RECEIVING THIS DOCUMENT
 THIS DOCUMENT, INCLUDING THE DRAWING AND INFORMATION CONTAINED THEREON, IS CONFIDENTIAL AND IS THE EXCLUSIVE PROPERTY OF EATON GMBH. IT IS TO BE KEPT SECRET AND SUBJECT TO RECALL BY EATON AT ANY TIME. BY TAKING POSSESSION OF THIS DOCUMENT, THE RECIPIENT ACKNOWLEDGES AND AGREES THAT THE DOCUMENT CANNOT BE USED IN ANY MANNER ADVERSE TO THE INTERESTS OF EATON AND THAT NO PORTION OF THIS DRAWING MAY BE REPRODUCED OR OTHERWISE REPRODUCED WITHOUT THE PRIOR WRITTEN CONSENT OF EATON IN THE CASE OF CONFLICTING CONTRACTUAL PROVISIONS.
 © 2010 Eaton GmbH - All Rights Reserved.

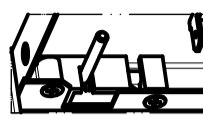
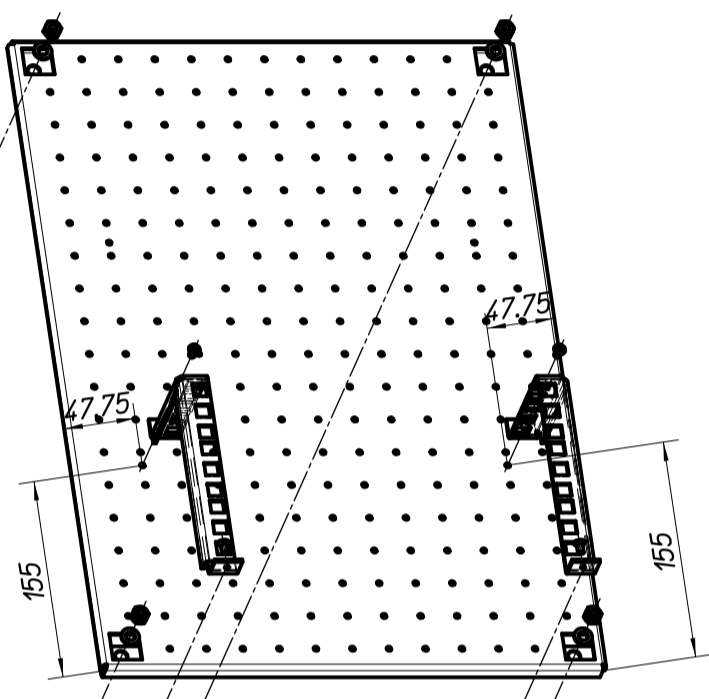
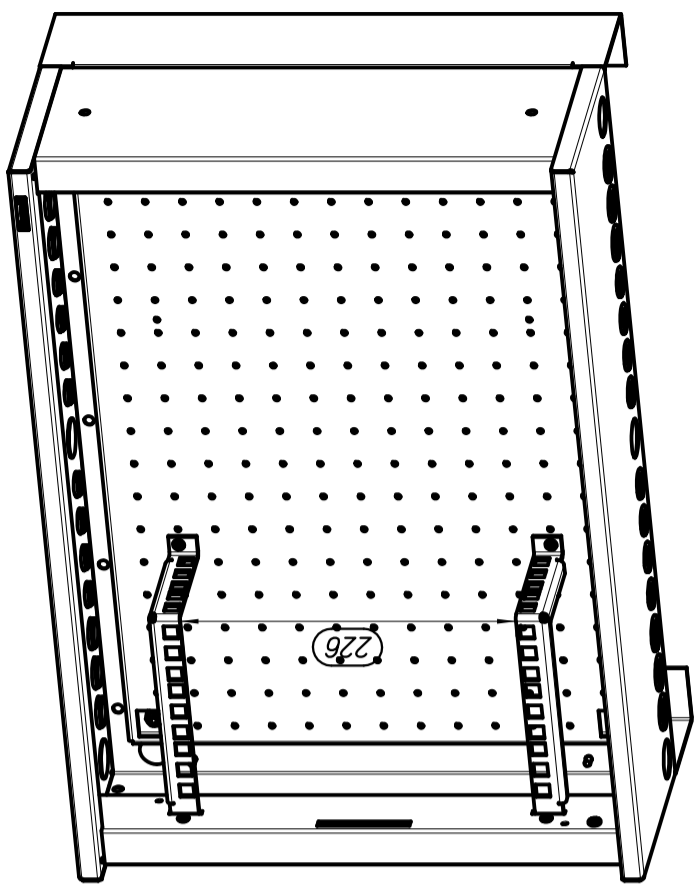
Art.nr.	* TÜR	Type
147524	370455812 Tuer IKT 3854 blind RAL 9016 glatt	IKT-BI-3854/SKAP/MP
149146	370455811 Tuer IKT 3854 plastic RAL 9016 glatt 271455813 Sichtfenster f.Tuer IKT 3854 plastic 165920530 Acrylic FOAM VHB 9mm (IR=66m)	IKT-BI-3854/SKAP/MP/P



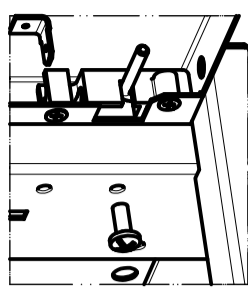
Gezeichnet:	SGM	Datum:	2010.09.08
CAD	XXX		

Maßstab:
1:5
IKT-BI-3854/SKAP/MP

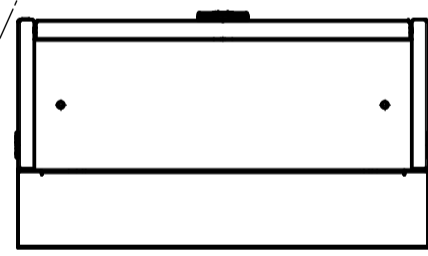
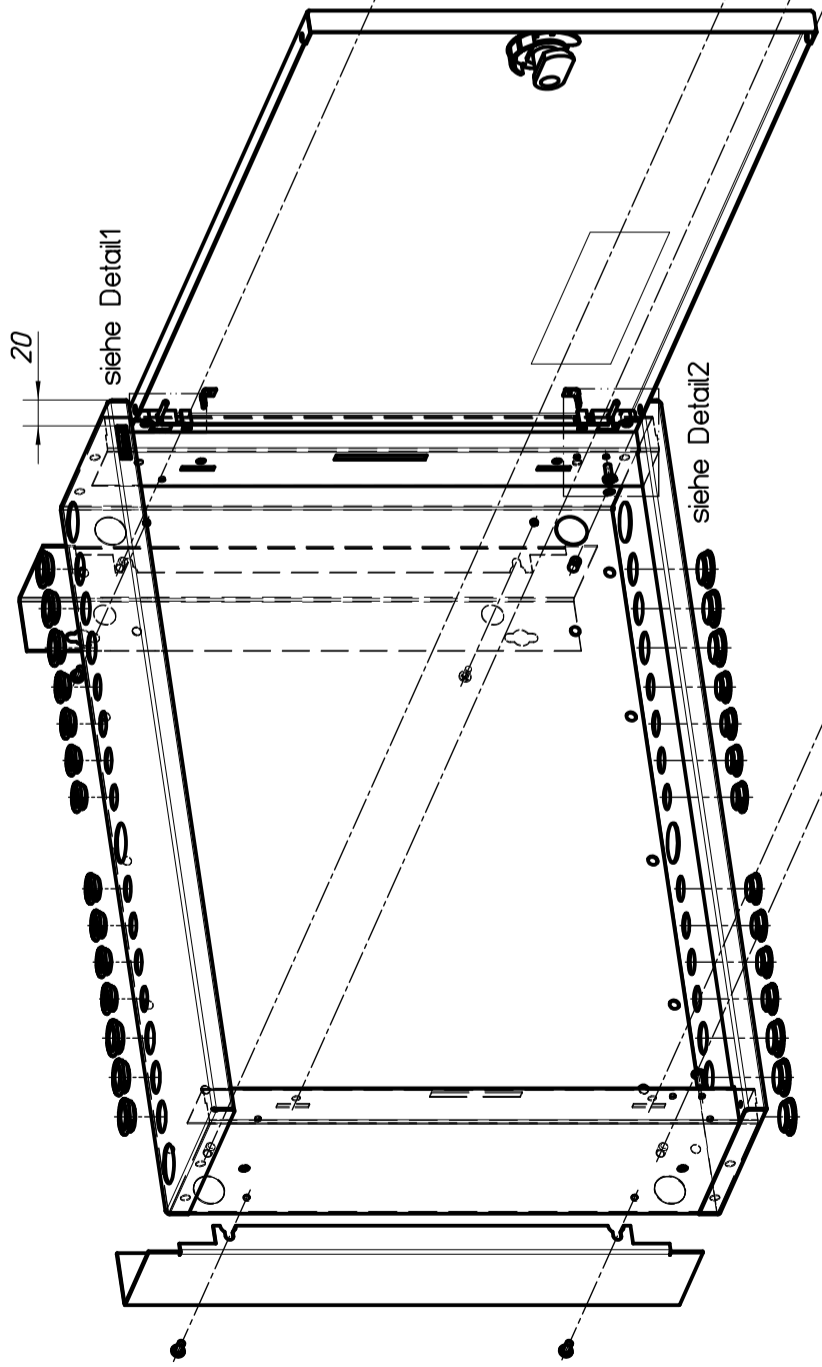
EATON
 Powering Business Worldwide
 Eaton Electrical Group
 Moeller Gebäudeautomation GmbH
 Eugenia 1
 3943 Schrems, Austria
 TEL: +43 2853 702-0*, Fax: +43 2853 76509



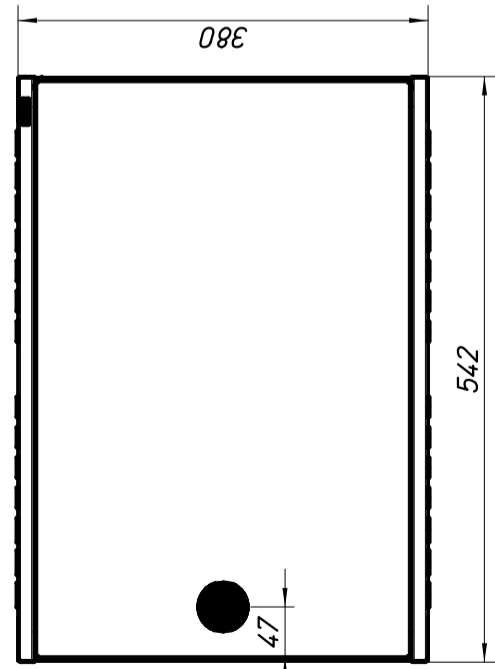
Detail1
M 1:2



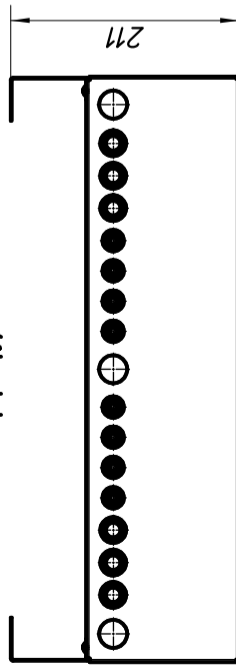
Detail2
M 1:2



M 1:7



M 1:7



M 1:7

Gezeichnet:	SGM	Datum:	2010.09.09
CAD	XXX		

Eaton Electrical Group
 Moeller Gebäudesautomation GmbH
 Eugenia 1
 3943 Schrems, Austria
 TEL. +43 2853 702-0*, Fax +43 2853 76609
EATON
 Powering Business Worldwide
 IKT-BI-3854/SKAP/MP-PATCH-147525
 Maßstab: 1:5

CONFIDENTIAL AND PROPRIETARY THIS DOCUMENT NOTICE TO PERSONS RECEIVING THIS DOCUMENT
 HERBY ON LOAN AND SUBJECT TO RECALL BY EATON AT ANY TIME BY TAKING POSSESSION OF THIS DOCUMENT THE
 AND AGREES THAT THE DOCUMENT CANNOT BE USED IN ANY MANNER ADVERSE TO THE INTERESTS OF EATON AND THAT
 NO PORTION OF THIS DRAWING MAY BE REPRODUCED OR OTHERWISE REPRODUCED WITHOUT THE PRIOR WRITTEN CONSENT OF EATON IN THE CASE
 OF CONFLICTING CONTRACTUAL PROVISIONS.
 © 2010 Eaton GmbH - All Rights Reserved.