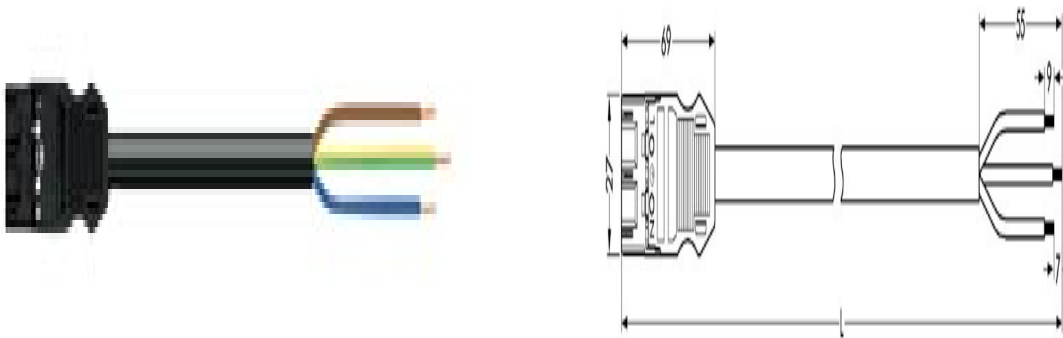


---

Item no.: 771-9993/207-601  
Product description: CONNECTION WIRE; PLUG - OPEN WIRE; 3 POLE; 6 m;  
CODING A; made of PVC

---



Packing unit 1 piece

Product group	20 (WINSTA)
pole count	3
Cross section to [mm <sup>2</sup> ]	2,5 mm <sup>2</sup>
Cross section to [AWG]	14 AWG
Number of strands	3
Measured voltage EN	250 V
Measured shock voltage	4 kV
Pollution degree	3
Current intensity EN	16 A
Weight	971,963 g
Color	black



Item number	Admission office	Approval no.	Voltage [V]	Current [A]	Cross section [ mm <sup>2</sup> ]
771-9993/207-601	CCA	5570	250	20	2,5
771-9993/207-601	DNV	E-6541	250	20	2,5
771-9993/207-601	GL	42875-02HH	250	20	2,5
771-9993/207-601	KEMA	2060958.05	250	20	2,5
771-9993/207-601	LR	02/20050(E1)	250	20	2,5
771-9993/207-601	PRS	TE/1719/880590/08	250	20	2,5

Sorting criteria: admission office - approval number

© WAGO Kontakttechnik GmbH & Co. KG

Specifications are subject to changes and errors may be expected