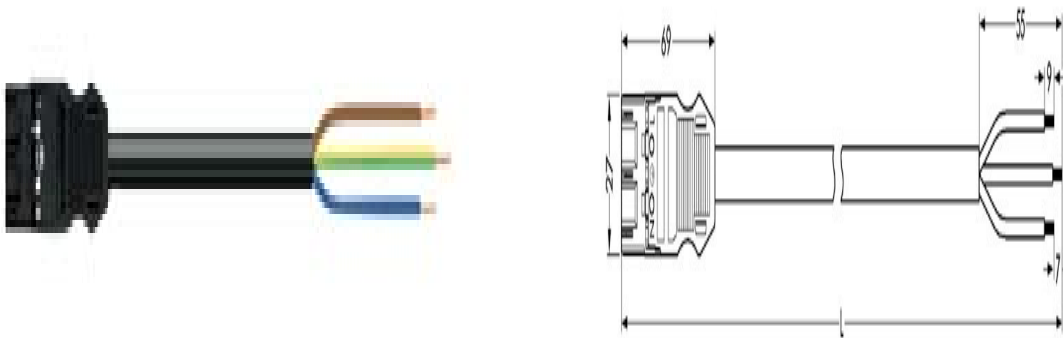

Item no.: 771-9993/207-501
Product description: CONNECTION WIRE; PLUG - OPEN WIRE; 3 POLE; 5 M;
CODING A; made of PVC



Packing unit 1 piece

| | |
|-------------------------------------|---------------------|
| Product group | 20 (WINSTA) |
| pole count | 3 |
| Cross section to [mm ²] | 2,5 mm ² |
| Cross section to [AWG] | 14 AWG |
| Number of strands | 3 |
| Measured voltage EN | 250 V |
| Measured shock voltage | 4 kV |
| Pollution degree | 3 |
| Current intensity EN | 16 A |
| Weight | 811,463 g |
| Color | black |



| Item number | Admission office | Approval no. | Voltage [V] | Current [A] | Cross section [mm ²] |
|------------------|------------------|-------------------|-------------|-------------|-----------------------------------|
| 771-9993/207-501 | CCA | 5570 | 250 | 20 | 2,5 |
| 771-9993/207-501 | DNV | E-6541 | 250 | 20 | 2,5 |
| 771-9993/207-501 | GL | 42875-02HH | 250 | 20 | 2,5 |
| 771-9993/207-501 | KEMA | 2060958.05 | 250 | 20 | 2,5 |
| 771-9993/207-501 | LR | 02/20050(E1) | 250 | 20 | 2,5 |
| 771-9993/207-501 | PRS | TE/1719/880590/08 | 250 | 20 | 2,5 |

Sorting criteria: admission office - approval number

© WAGO Kontakttechnik GmbH & Co. KG

Specifications are subject to changes and errors may be expected