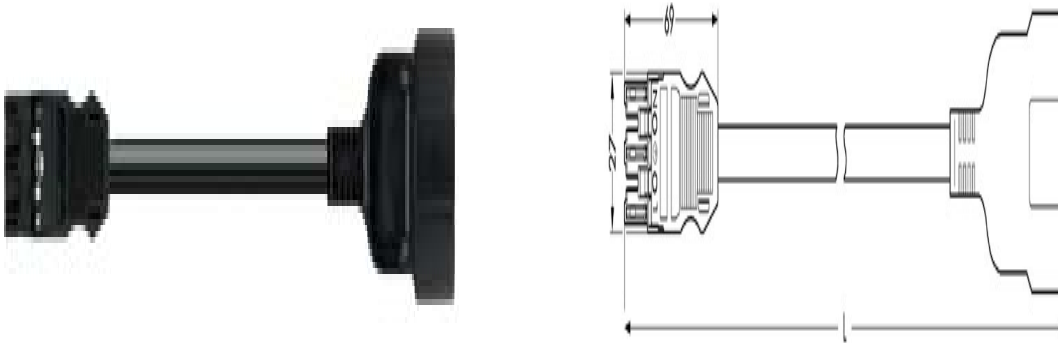

Item no.: 771-9993/406-101
Product description: CONNECTION WIRE; PLUG - SCHUKO COUPLING; 3 POLE;
1 M; CODING A; made of PVC



Packing unit 1 piece

Product group	20 (WINSTA)
pole count	3
Cross section to [mm ²]	1,5 mm ²
Cross section to [AWG]	16 AWG
Number of strands	3
Measured voltage EN	250 V
Measured shock voltage	4 kV
Pollution degree	3
Current intensity EN	16 A
Weight	221,873 g
Color	black



Item number	Admission office	Approval no.	Voltage [V]	Current [A]	Cross section [mm ²]
771-9993/406-101	CCA	5570	250	10	1,5
771-9993/406-101	KEMA	2060958.05	250	10	1,5
771-9993/406-101	PRS	TE/1719/880590/08	250	10	1,5

Sorting criteria: admission office - approval number

© WAGO Kontakttechnik GmbH & Co. KG

Specifications are subject to changes and errors may be expected