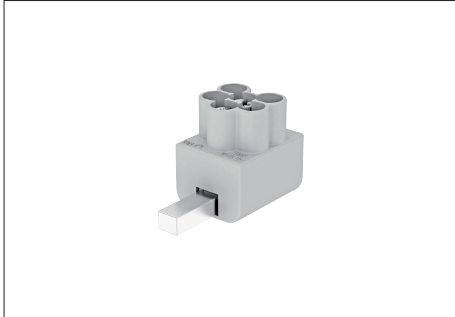


Connection terminal for through wiring



Connection terminal type: AS 3x16

Connection cross-section: 3 x 1.5 - 16 sq mm rigid/ multiple strands
3 x 1.5 - 10 sq mm fine-wire/with wire end sleeve

Stripping length: 16 mm
Rec. tightening torque: 1.2 Nm
Nominal current: 50 A
Width: 17.5 mm (1 TE)

For EMV-optimised V through-wiring to IEC 60364-5-53 (VDE 0100-534).

Type	Colour	Version	Pack. pcs	Weight kg/100 pcs.	Item No.
AS 3x16	Light grey	3 x 16 mm ²	5	2,474	5012 01 0

