

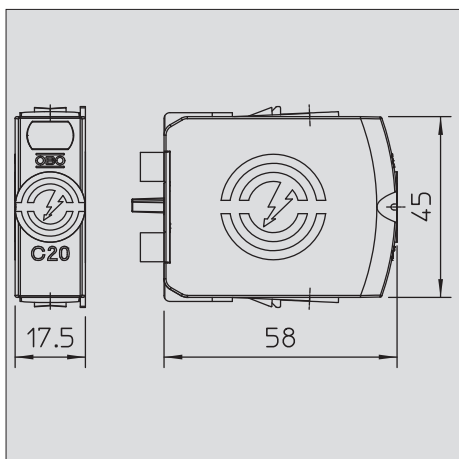
## Upper part C20 280 V



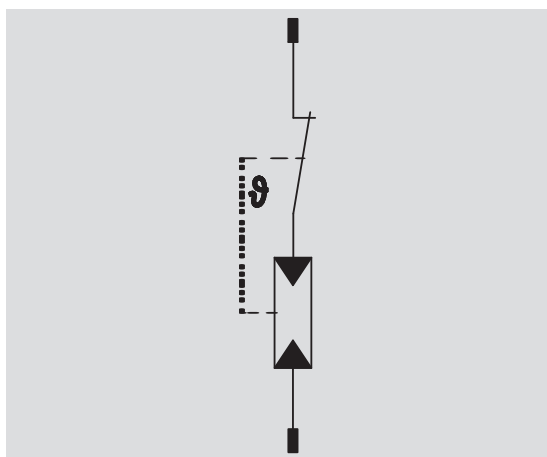
Surge arrester, type 2

- For surge voltage protection equipotential bonding to VDE 0100-443 (IEC 60364-4-44)
- Discharge capacity to 40 kA (8/20) per pin through high-performance varistors
- Modular connectable arrester with dynamic cut-off unit and visual status display
- Locking mechanism with vibration protection and voltage keying
- Halogen-free plastic (UL 94 V-0)
- The FS variant have a potential-free changeover contact for remote signalling

Application: Equipotential bonding in main and sub-distributions.



Type	Maximum continuous voltage AC V	Pole version	Protection rating	Pack. pcs	Weight kg/100 pcs.	Item No.
C20-0-255	255	N/PE	IP20	1	3,680	5095 60 0



Maximum continuous voltage AC	$U_c$	V	255,00
Operating temperature range	$T_u$	°C	-40+80
Nominal discharge current (8/20 $\mu$ s)	$I_{n/L-N}$	kA	20,00
Signalling on device			Visual
Protection level	$U_p$	kV	1,30
Protection rating			IP20

Item No.

5095 60 0