

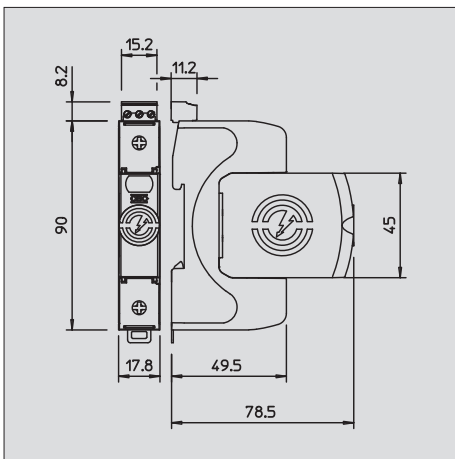
### Surge arrester V20, 1-pin with FS, 320 V



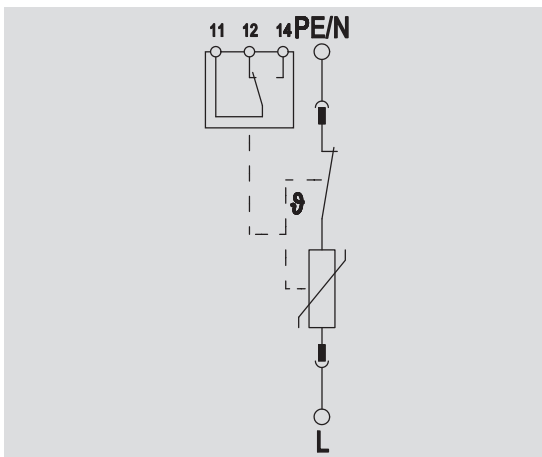
Surge arrester, type 2

- For surge voltage protection equipotential bonding to VDE 0100-443 (IEC 60364-4-44)
- Discharge capacity to 40 kA (8/20) per pin through high-performance varistors
- Modular connectable arrester with dynamic cut-off unit and visual status display
- Locking mechanism with vibration protection and voltage keying
- Halogen-free plastic (UL 94 V-0)
- The FS variant have a potential-free changeover contact for remote signalling

Application: Equipotential bonding in main and sub-distributions.



Type	Maximum continuous voltage AC V	Pole version	Protection rating	Pack. pcs	Weight kg/100 pcs.	Item No.
V20-1+FS-320	320	1	IP20	1	13,200	5095 29 1



Maximum continuous voltage AC	$U_c$	V	320,00
SPD to EN 61643-11			Type 2
SPD to IEC 61643-11			class II
Nominal discharge current (8/20 $\mu$ s)	$I_{n/L-N}$	kA	20,00
Maximum discharge current (8/20 $\mu$ s)	$I_{max}$	kA	40,00
Protection level	$U_p$	kV	1,40
Network form			Other
Mounting type			Hat rail 35 mm
Pole version			1
Size			1 TE
Max. mains-side overcurrent protection		A	160 A gL/gG
Protection rating			IP20
Operating temperature range	$T_u$	$^{\circ}$ C	-40+80
Signalling on device			Visual
Max. cable cross-section flexible (fine-wire)		mm <sup>2</sup>	35,00
Max. cable cross-section rigid (single wire/multi-wire)		mm <sup>2</sup>	35,00
FM contacts			NO/NC contact
Switching power AC			230 V; 0,5 A
Switching power DC			230 V; 0,1 A / 75 V; 0,5 A
Approvals			UL
<b>Item No.</b>			<b>5095 29 1</b>