

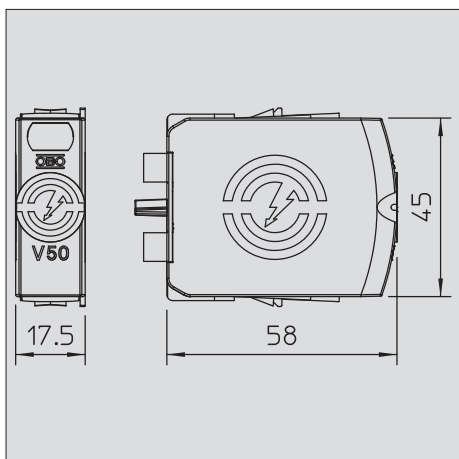
## Upper part V50 280 V



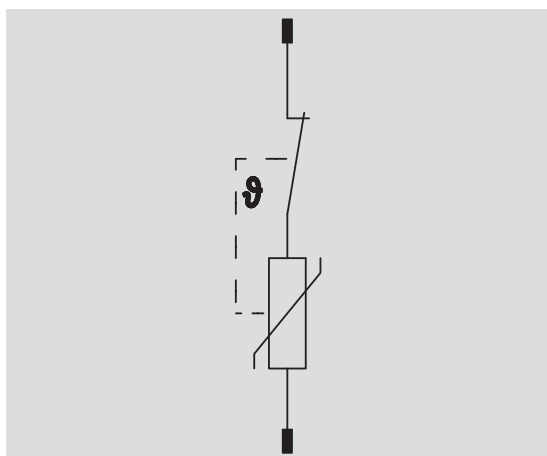
Upper part, lightning current combination arrester, type 1+2

- For lightning protection equipotential bonding to VDE 0185-305 (IEC 62305)
- Lightning current discharge capacity of 12.5 kA (10/350) per pole
- Modular, plug-in arrester with dynamic cut-off unit and visual status display
- Locking mechanism with vibration protection and voltage keying
- Halogen-free plastic (UL 94 V-0)

\* Complete = upper part and base



Type	Maximum continuous voltage AC V	Pole version	Protection rating	Pack. pcs	Weight kg/100 pcs.	Item No.
V50-0-280	280	-	IP20	1	8,500	5093 50 8



Maximum continuous voltage AC	$U_c$	V	280,00
SPD to EN 61643-11			Type 1+2
SPD to IEC 61643-11			class I+II
Lightning surge current (10/350 $\mu$ s)	$I_{imp}$	kA	12,50
Nominal discharge current (8/20 $\mu$ s)	$I_{n/L-N}$	kA	30,00
Maximum discharge current (8/20 $\mu$ s)	$I_{max}$	kA	50,00
Protection level	$U_p$	kV	1,30
Network form			
Mounting type			Hat rail 35 mm
Pole version			
Size			1 TE
Max. mains-side overcurrent protection		A	160 A gL/gG
Protection rating			IP20
Operating temperature range	$T_u$	$^{\circ}$ C	-40+80
Signalling on device			Visual
Max. cable cross-section flexible (fine-wire)		mm <sup>2</sup>	35,00
Max. cable cross-section rigid (single wire/multi-wire)		mm <sup>2</sup>	35,00
FM contacts			
Switching power AC			
Switching power DC			
Approvals			
Item No.			5093 50 8