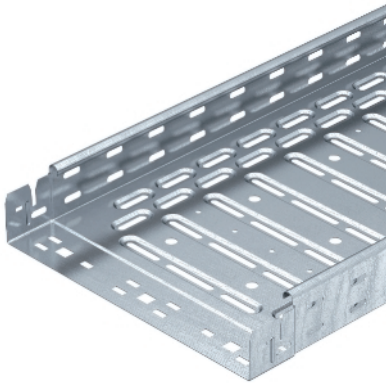


Cable tray RKS-Magic®



Cable tray with quick connection system, including all the relevant connection components for time-saving and economic installation, with beaded straight base perforation, 7 x 20 mm, for bracket mounting and, from the width 200 mm, with 7 x 32 mm transverse beading for cable ventilation and simplified mounting. With 11 mm perforation for direct threaded rod suspension. Continuous side perforation, 7 x 20 mm, as connector perforation.

The stock length is 3050 mm, the usable length when combined is 3000 mm.

The spring element FED 60 can be ordered separately as an accessory part (spare) for the cable tray RKS Magic with a side height of 60 mm under the article number 6068859. The continuous equipotential bonding is guaranteed without additional components. VDE-tested cable tray system. Tested for function maintenance according to DIN 4102 Part 12 (tray widths 100 - 400 mm, mounting work and parameters according to valid test certificate).

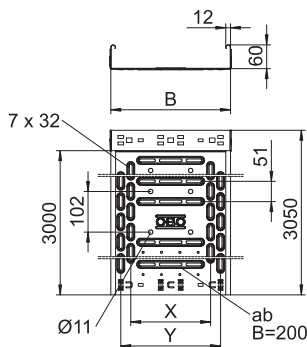
Type	Width mm	Plate thickness mm	Pack. m	Weight kg/100 m	Item No.
RKSM 610 FS	100	0,75	3	132,131	6047611
RKSM 615 FS	150	0,75	3	155,080	6047630
RKSM 620 FS	200	0,75	3	183,000	6047638
RKSM 630 FS	300	0,75	3	235,080	6047654
RKSM 640 FS	400	0,9	3	325,900	6047689
RKSM 650 FS	500	0,9	3	385,900	6047719
RKSM 660 FS	600	0,9	3	445,900	6047735
RKSM 610 FT	100	1	3	172,460	6047612
RKSM 615 FT	150	1	3	218,030	6047631
RKSM 620 FT	200	1	3	241,640	6047639
RKSM 630 FT	300	1	3	311,800	6047655
RKSM 640 FT	400	1	3	426,340	6047690

St Steel

FS Strip-galvanised

FT Hot-dip galvanised

Dimensions

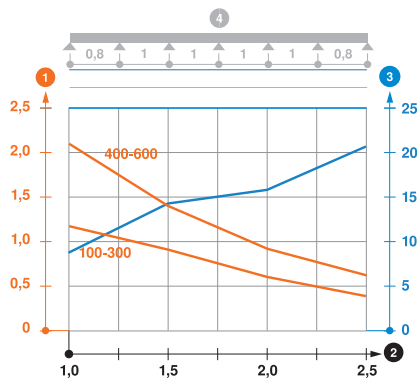


Type	Length mm	Width mm	Useful cross- section cm ²	Dimen- sion x mm	Dimen- sion y mm
RKSM 610 FS	3050	100	58	—	50
RKSM 615 FS	3050	150	88	50	100
RKSM 620 FS	3050	200	118	100	150
RKSM 630 FS	3050	300	178	200	250
RKSM 640 FS	3050	400	238	300	350
RKSM 650 FS	3050	500	298	400	450
RKSM 660 FS	3050	600	358	450	550
RKSM 610 FT	3050	100	58	—	50
RKSM 615 FT	3050	150	88	50	100
RKSM 620 FT	3050	200	118	100	150
RKSM 630 FT	3050	300	178	200	250
RKSM 640 FT	3050	400	238	300	350

Cable tray RKS-Magic®

Load

Type	1.0 m kN/m	1.5 m kN/m	1.75 m kN/m	2.0 m kN/m	2.25 m kN/m	2.5 m kN/m	NEMA Load Class
RKSM 610 FS	1,2	0,9	—	0,6	—	0,4	8AA
RKSM 615 FS	1,2	1	0,65	0,6	0,45	0,4	8AA
RKSM 620 FS	1,2	1	0,65	0,55	0,45	0,4	8AA
RKSM 630 FS	1,2	1	0,65	0,55	0,45	0,4	8AA
RKSM 640 FS	2,1	1,35	1,15	0,8	0,7	0,6	8AA
RKSM 650 FS	2,1	1,35	1,15	0,8	0,7	0,6	8AA
RKSM 660 FS	2,1	1,35	1,15	0,8	0,7	0,6	8AA
RKSM 610 FT	1,2	0,9	—	0,6	—	0,4	8AA
RKSM 615 FT	1,2	0,9	—	0,6	—	0,4	8AA
RKSM 620 FT	1,2	0,9	—	0,6	—	0,4	8AA
RKSM 630 FT	1,2	0,9	—	0,6	—	0,4	8AA
RKSM 640 FT	2,1	1,35	—	0,9	—	0,6	8AA



Load diagram, cable tray, type RKSM 60

- 1 Permitted cable tray/ladder load in kN/m without man load
- 2 Support width in m
- 3 Rail bend in mm at permitted kN/m
- 4 Load scheme during testing
- Load curve with cable tray/ladder width in mm
- Strut bend curve according to support width