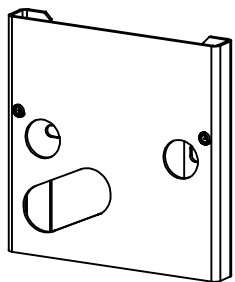
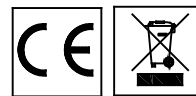
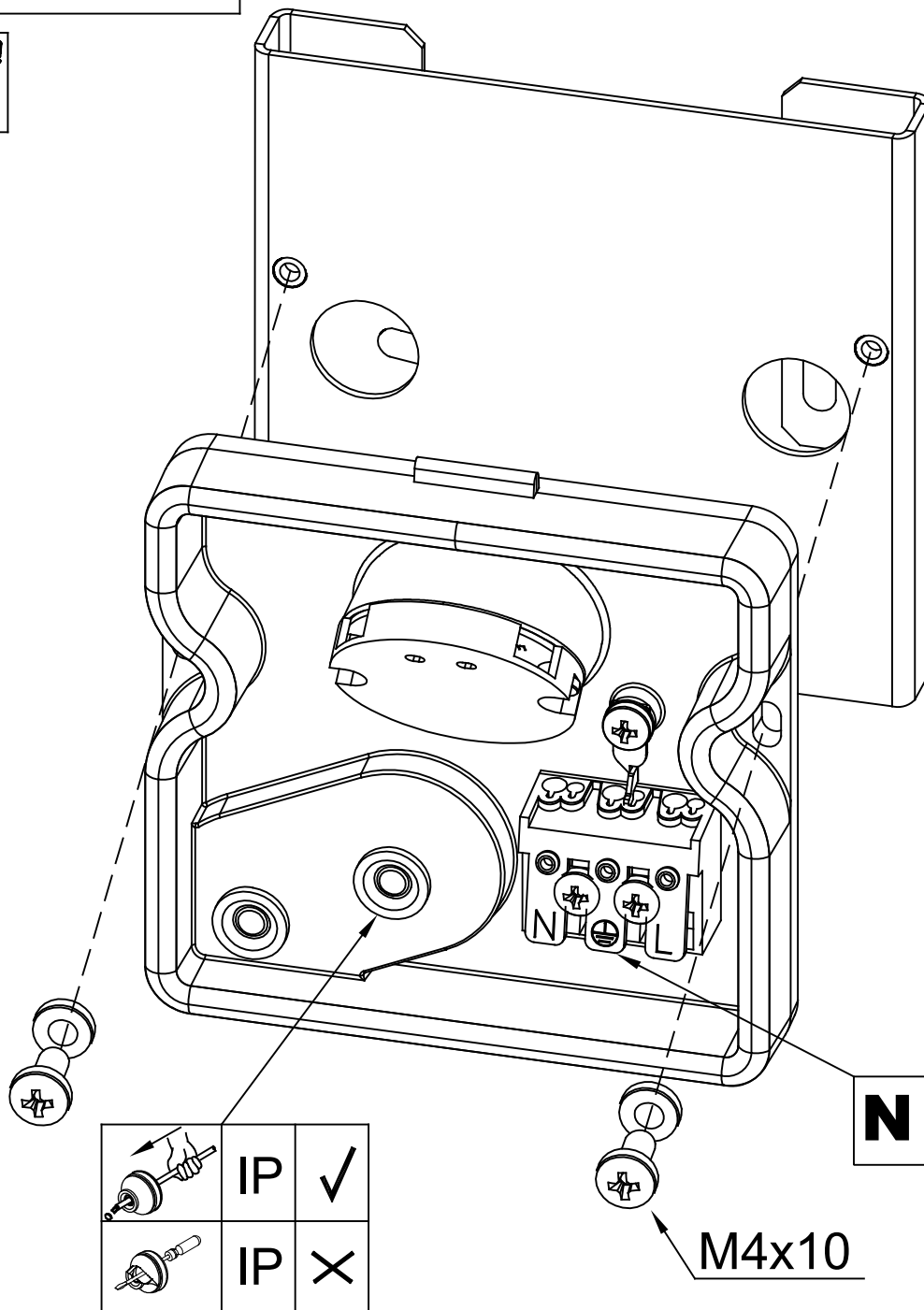
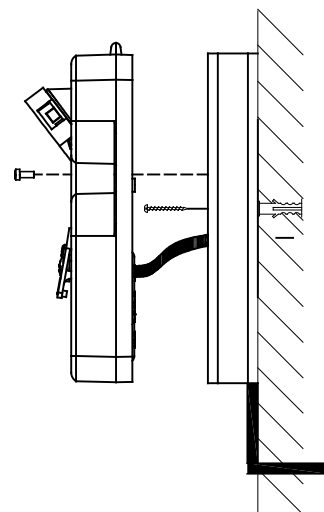


BRACKET NAMSOS MINI WALL



art.157



N ⊕ L

M4x10

| | | |
|--|----|---|
| | IP | ✓ |
| | IP | ✗ |

