





BRACKET FOR WALL MOUNTING, FOR SINGLE-SIDED MOUNTING, ACCESS.FOR 8WD42, SIGN.COLUMNS, DIAMETER 50MM, PLASTIC VERSION



Figure similar

General technical data:	
product brandname	SIRIUS
Product designation	Mounting bracket
Equipment marking	
<ul style="list-style-type: none"> • acc. to DIN EN 61346-2 • acc. to DIN EN 81346-2 	U U
Mechanical data:	
Outer diameter of the signal column element	50 mm
Ambient conditions:	
Ambient temperature during operation	-20 ... +60 °C
Depth	49.5 mm
Height	54 mm
Width	27 mm
Certificates/approvals	

General Product Approval	EMC	Declaration of Conformity	other
 UL		 C-Tick	 EG-Konf.

[Confirmation](#)

Further information

Information- and Downloadcenter (Catalogs, Brochures,...)

<http://www.siemens.com/industrial-controls/catalogs>

Industry Mall (Online ordering system)

<https://mall.industry.siemens.com/mall/en/en/Catalog/product?mlfb=8WD4208-0CD>

Cax online generator

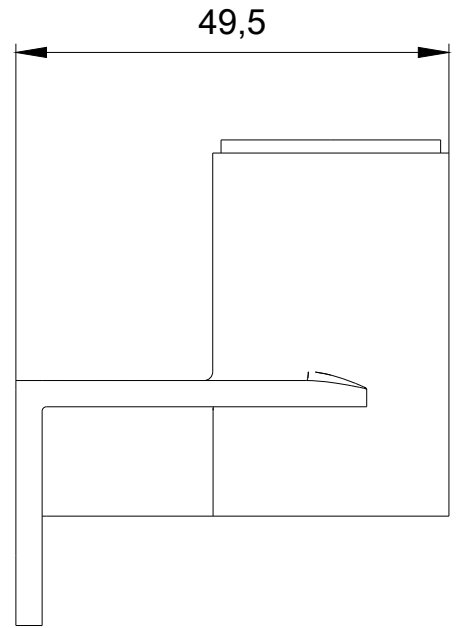
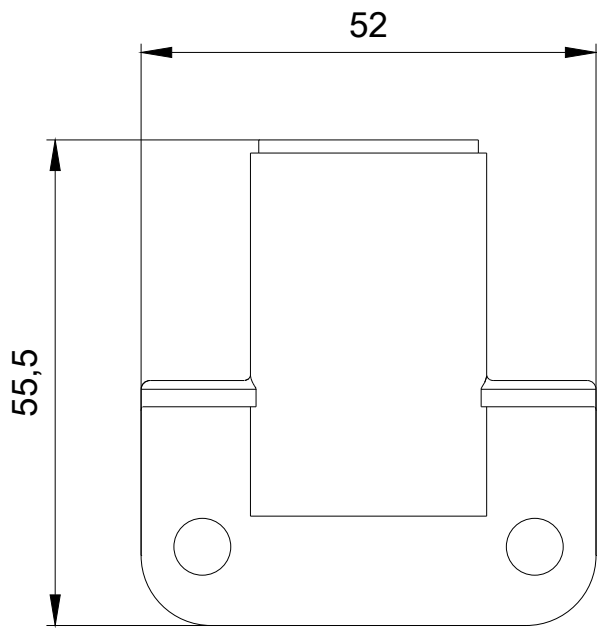
<http://support.automation.siemens.com/WW/CAXorder/default.aspx?lang=en&mlfb=8WD4208-0CD>

Service&Support (Manuals, Certificates, Characteristics, FAQs,...)

<https://support.industry.siemens.com/cs/ww/en/ps/8WD4208-0CD>

Image database (product images, 2D dimension drawings, 3D models, device circuit diagrams, EPLAN macros, ...)

http://www.automation.siemens.com/bilddb/cax_de.aspx?mlfb=8WD4208-0CD&lang=en



8WD4208-0CD_ALL

last modified:

07/26/2017