

CONNECTING KIT FOR ALPHA 630 UNIVERSAL,  
IP 43/55



Similar to image

#### Technical data:

Accessories

others

#### Certificates/approvals:

General Product Approval



#### Further information:

**Information- and Downloadcenter (Catalogs, Brochures,...)**

<http://www.siemens.com/lowvoltage/catalogs>

**Industry Mall (Online ordering system)**

<http://www.siemens.com/lowvoltage/mall>

**Service&Support (Manuals, Certificates, Characteristics, FAQs,...)**

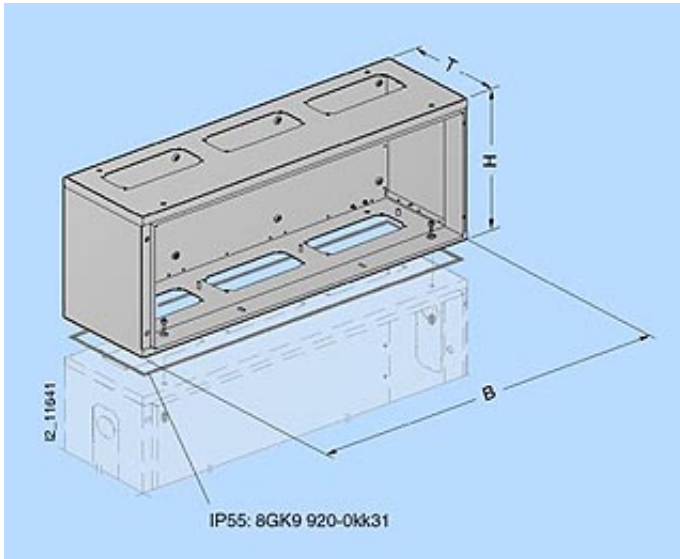
<http://support.automation.siemens.com/WW/view/en/8GK9920-0KK31/all>

**Image database (product images, 2D dimension drawings, 3D models, device circuit diagrams, ...)**

[http://www.automation.siemens.com/bilddb/cax\\_en.aspx?mlfb=8GK9920-0KK31](http://www.automation.siemens.com/bilddb/cax_en.aspx?mlfb=8GK9920-0KK31)

**CAX-Online-Generator**

<http://www.siemens.com/cax>



last change:

Mar 4, 2013