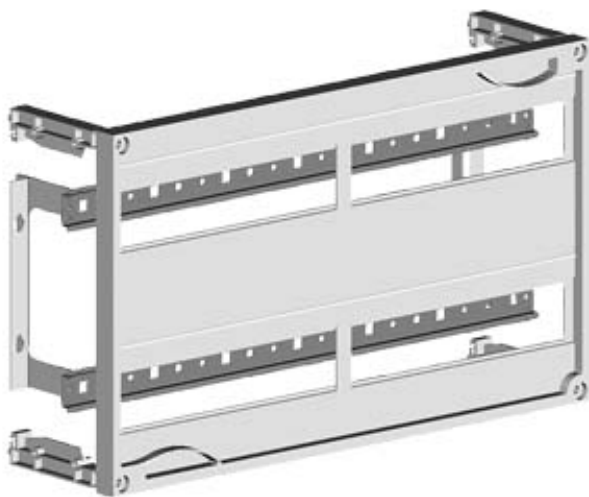


ALPHA 400/630 DIN,  
KIT F. INSTALL. MOUNTING DEVICE WITH ROW  
DISTANCE 150 MM H=300 W=250



Similar to image

#### Technical data:

Accessories

others

#### Certificates/approvals:

General Product Approval

Declaration of Conformity

Test Certificates



GOST



EG-Konf.

[Type Test Certificates/Test Report](#)

#### Further information:

Information- and Downloadcenter (Catalogs, Brochures,...)

<http://www.siemens.com/lowvoltage/catalogs>

Industry Mall (Online ordering system)

<http://www.siemens.com/lowvoltage/mall>

Service&Support (Manuals, Certificates, Characteristics, FAQs,...)

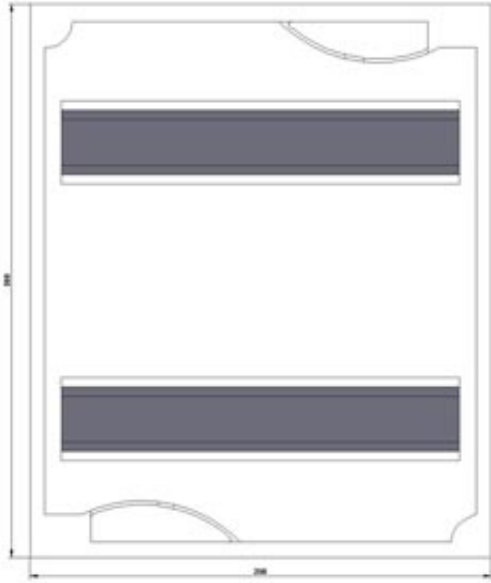
<http://support.automation.siemens.com/WW/view/en/8GK4351-2KK12/all>

Image database (product images, 2D dimension drawings, 3D models, device circuit diagrams, ...)

[http://www.automation.siemens.com/bilddb/cax\\_en.aspx?mlfb=8GK4351-2KK12](http://www.automation.siemens.com/bilddb/cax_en.aspx?mlfb=8GK4351-2KK12)

CAx-Online-Generator

<http://www.siemens.com/cax>



**last change:**

Mar 4, 2013