



ALPHA 400 DIN,  
WALL-MOUNTING DISTRIBUTOR,  
EMPTY CUBICLE, AP-CUBICLE, RAL 9016,  
IP43, SK2 H=1400 W=1050 D=210

Similar to image

Technical data:		
Height	mm	1,400
Width	mm	1,050
Depth	mm	210
Protection class IP		IP43
Design of the cap/top cover		closed
RAL color number		9016
Mounting depth	mm	210
Surface processing		powder-coated
Acceptability for application / for outside use		No
Material / of the enclosure		sheet steel/plastic
Product component / cable entry		Yes
Product component / Mounting plate		No
Product extension / optional / Sequence		Yes
Suitability for interaction / lightning protection		No

Certificates/approvals:

General Product Approval

Declaration of  
Conformity

Test Certificates



[Type Test  
Certificates/Test  
Report](#)

**Further information:**

**Information- and Downloadcenter (Catalogs, Brochures,...)**

<http://www.siemens.com/lowvoltage/catalogs>

**Industry Mall (Online ordering system)**

<http://www.siemens.com/lowvoltage/mall>

**Service&Support (Manuals, Certificates, Characteristics, FAQs,...)**

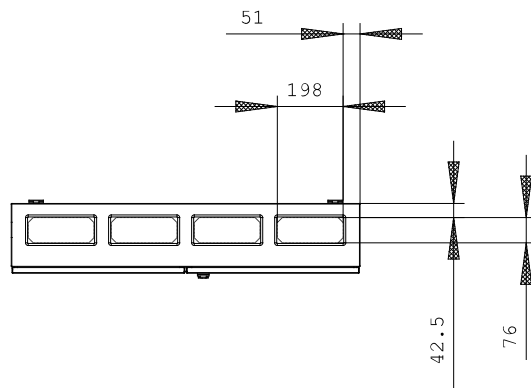
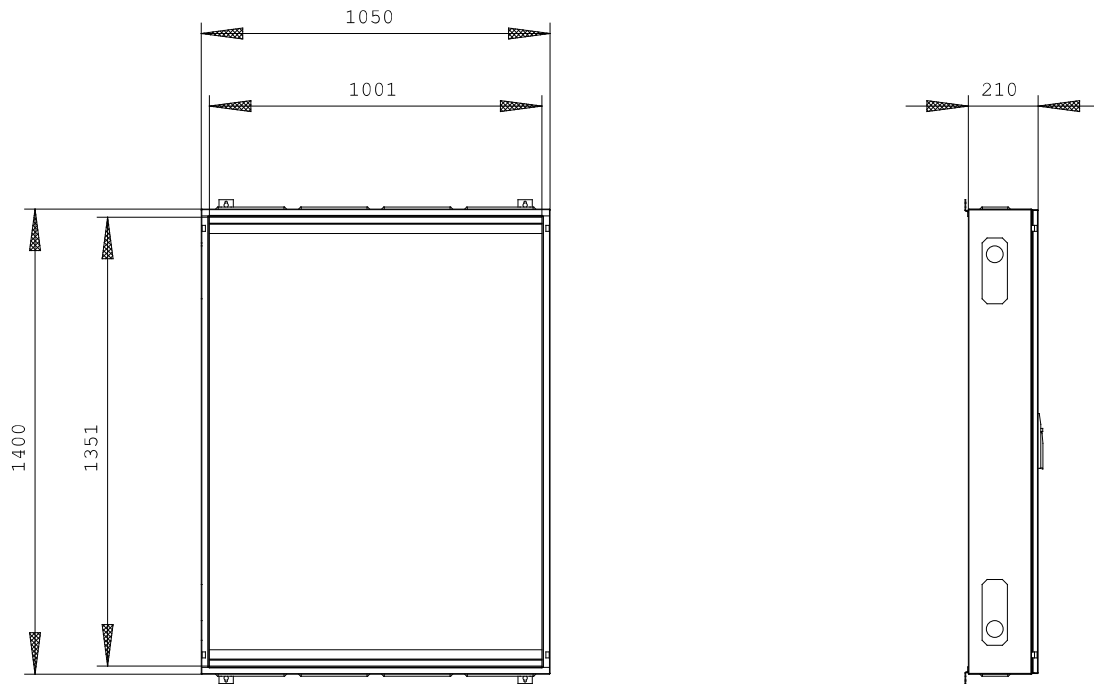
<http://support.automation.siemens.com/WW/view/en/8GK1132-7KK42/all>

**Image database (product images, 2D dimension drawings, 3D models, device circuit diagrams, ...)**

[http://www.automation.siemens.com/bilddb/cax\\_en.aspx?mlfb=8GK1132-7KK42](http://www.automation.siemens.com/bilddb/cax_en.aspx?mlfb=8GK1132-7KK42)

**CAX-Online-Generator**

<http://www.siemens.com/cax>



last change:

Oct 8, 2012