





ALPHA 400 DIN,
WALL-MOUNTING DISTRIBUTOR, AP-CUBICLE,
RAL 9016, IP43, SK1, H=800 W=550 D=210

Similar to image

Technical data:

| | | |
|---|----|---------------------|
| Height | mm | 800 |
| Width | mm | 550 |
| Depth | mm | 210 |
| Protection class IP | | IP43 |
| Design of the cap/top cover | | closed |
| RAL color number | | 9016 |
| Mounting depth | mm | 210 |
| Surface processing | | powder-coated |
| Acceptability for application / for outside use | | No |
| Material / of the enclosure | | sheet steel/plastic |
| Product component / cable entry | | Yes |
| Product component / Mounting plate | | No |
| Product extension / optional / Sequence | | Yes |
| Suitability for interaction / lightning protection | | No |

Certificates/approvals:

| General Product Approval | Declaration of Conformity | Test Certificates |
|---|---|--|
|  GOST |  EG-Konf. | Type Test Certificates/Test Report |

Further information:

Information- and Downloadcenter (Catalogs, Brochures,...)

<http://www.siemens.com/lowvoltage/catalogs>

Industry Mall (Online ordering system)

<http://www.siemens.com/lowvoltage/mall>

Service&Support (Manuals, Certificates, Characteristics, FAQs,...)

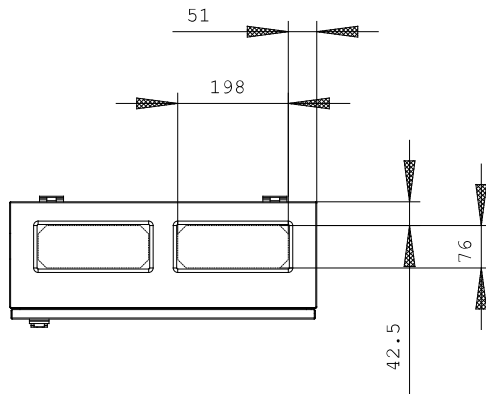
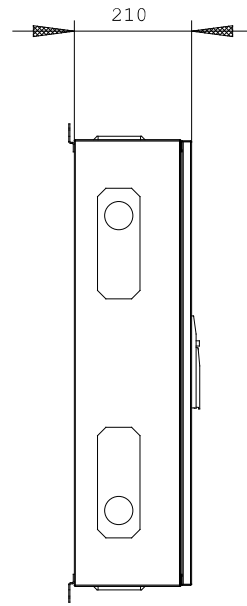
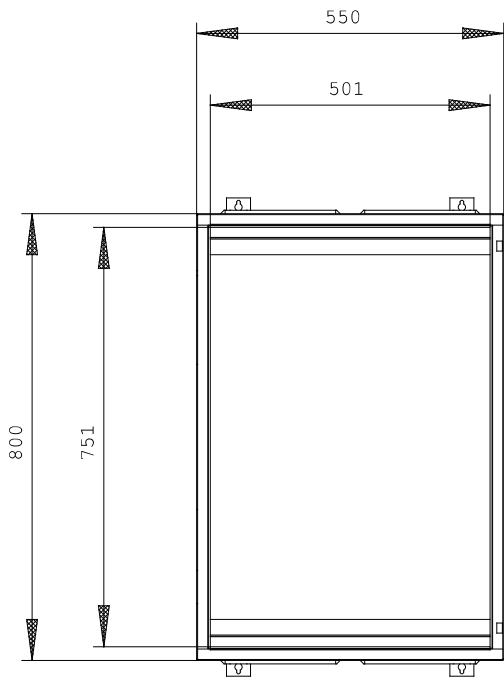
<http://support.automation.siemens.com/WW/view/en/8GK1122-3KK22/all>

Image database (product images, 2D dimension drawings, 3D models, device circuit diagrams, ...)

http://www.automation.siemens.com/bilddb/cax_en.aspx?mlfb=8GK1122-3KK22

CAX-Online-Generator

<http://www.siemens.com/cax>



last change:

Oct 8, 2012