



QUARTZ TIME SWITCH DAY FORM C 230V/50-60HZ
SURFACE MOUNTING

Similar to image

Technical data:

Design of the switching function		CO contact
Type of voltage / of supply voltage		AC
Type of mounting		others
Number of channels		1
Protection class IP		IP20
Depth	mm	34
Height	mm	110
Width	mm	69
Accuracy / per day	s	2.5
Switching capacity current / at 250 V / with AC / nominal value	A	16
Product feature / potential-free switching contact		Yes
Product function		
• 24-hour time program		Yes
• direct operation		Yes
• 60 min time program		No
• annual time program		No
• Automatic daylight-saving adjustment		No
• Switching preselection		Yes

• Weekly time program		No
Mode de fonctionnement		No
• synchronisation réseau		Yes
• commande piézo-électrique		
Plus petit intervalle de temps de commutation		
• de la voie 1	min	30
Échelle de temps		
• du disque de programme 1	min	10
Supply voltage frequency		
• minimum	Hz	50
• maximum	Hz	50
Supply voltage		
• initial value	V	230
• final value	V	230

Certificates/approvals:

General Product Approval



other

[Environmental Confirmations](#)

Further information:

Information- and Downloadcenter (Catalogs, Brochures,...)

<http://www.siemens.com/lowvoltage/catalogs>

Industry Mall (Online ordering system)

<http://www.siemens.com/lowvoltage/mall>

Service&Support (Manuals, Certificates, Characteristics, FAQs,...)

<http://support.automation.siemens.com/WW/view/en/7LF5305-0/all>

Image database (product images, 2D dimension drawings, 3D models, device circuit diagrams, ...)

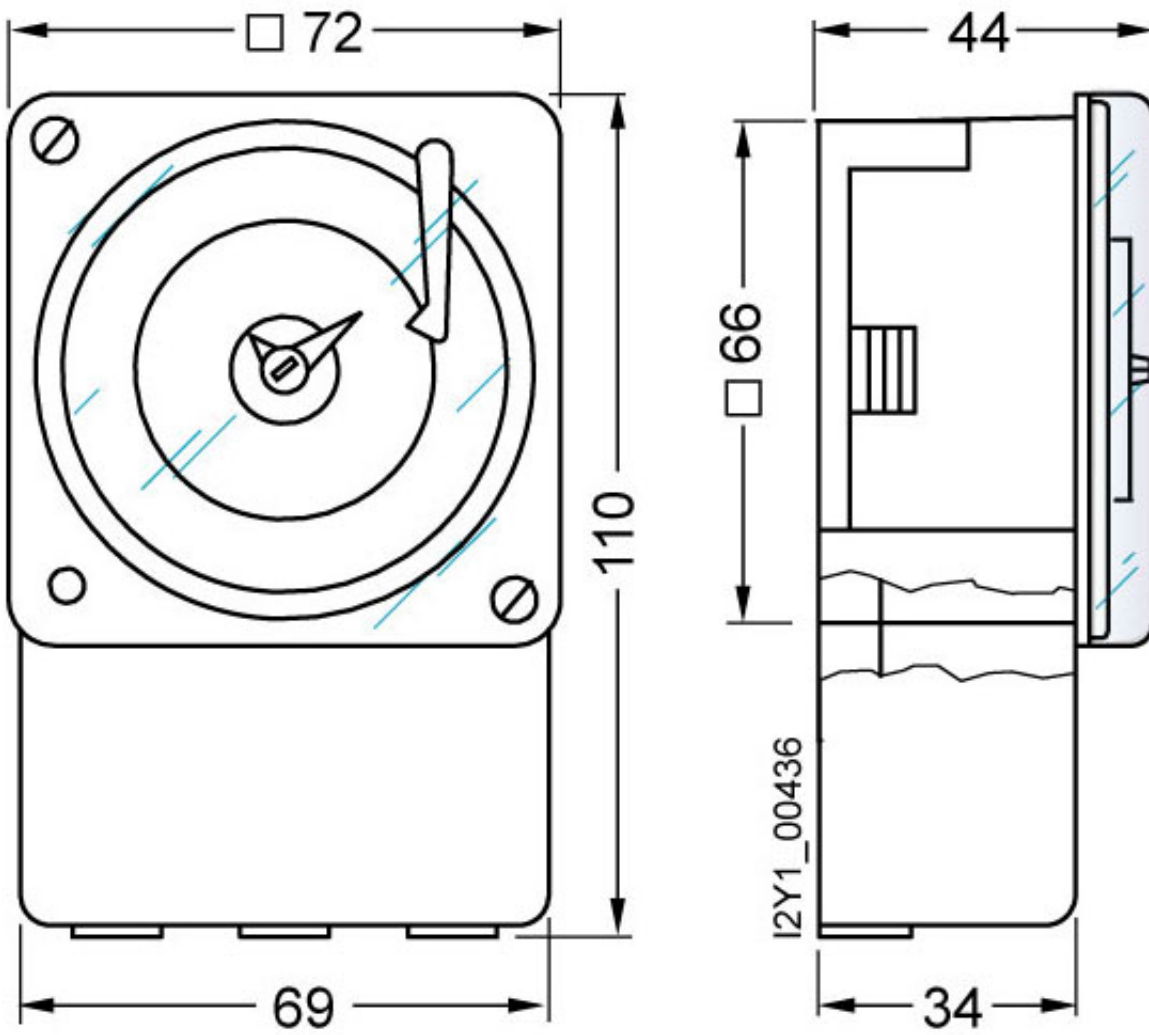
http://www.automation.siemens.com/bilddb/cax_en.aspx?mlfb=7LF5305-0

CAX-Online-Generator

<http://www.siemens.com/cax>

Tender specifications

[Datanorm GAEB81](#) [GAEB83](#) [RTF](#) [TXT](#)



last change:

Jul 1, 2013