



REMOTE SWITCH WITH 1 NO AND 1 NC CONTACT FOR AC 230, 400V 16A CONTROL AC 24V

Similar to image

**Technical data:**

<b>Latching relay design</b>		Mechanical switch
<b>Type of mounting</b>		DIN rail
<b>Number of NC contacts</b>		1
<b>Number of NO contacts</b>		1
<b>Number of change-over switches</b>		0
<b>Width of opening / of contacts</b>	mm	1.2
<b>Stipulated clearance to live parts</b>	mm	6
<b>Switching current / with AC / per contact / minimum</b>	mA	100
<b>Switching voltage / of contacts / with AC / minimum</b>	V	10
<b>type of voltage</b>		AC
<b>Type of voltage / of control voltage_1</b>		AC
<b>Control voltage/ _1 / final value</b>		
• initial value	V	19.2
•	V	26.4
• setpoint	V	24
<b>Operating range factor control supply voltage rated value / at 50 Hz / for AC</b>		
• initial value		0.8

• final value		1.1
<b>Supply voltage</b>	V	250 ... 250
<b>Breaking capacity current</b>		
• nominal value	A	16
• at cos phi 0.6	A	16
<b>Switching capacity real power / for filament lamp load</b>	W	2,000
<b>Switching capacity apparent power</b>		
• for uncorrected fluorescent lamp load	V·A	500
• for fluorescent lamp load with DUO circuit	V·A	900
• for fluorescent lamp load with parallel compensation	V·A	400
<b>Control voltage frequency / _1</b>		
• initial value	Hz	50
• final value	Hz	50
<b>Impulse voltage resistance / rated value</b>	kV	4
<b>Apparent power loss / of magnet coil / with pulse / rated value</b>	V·A	7
<b>Active power loss / at 16 A / per contact / rated value</b>	W	1.2
<b>Number of pitch units for width</b>		1
<b>Product function / direct operation</b>		Yes
<b>Product component / switch position indicator</b>		Yes
<b>Mounting height</b>	mm	90
<b>Mounting depth</b>	mm	70
<b>Galvanic isolation / between magnet coil and contact</b>		Yes
<b>Pulse duration / minimum</b>	ms	50
<b>Electrical endurance (operating cycles)</b>		50,000
<b>Number of terminals</b>		6
<b>Conductor cross section that can be connected</b>		
• for rigid conductor	mm <sup>2</sup>	1.5 ... 6
<b>Conductor cross section that can be connected / for flexible conductor</b>		
• with wire end processing	mm <sup>2</sup>	1 ... 6
<b>Ambient temperature / with relative humidity 95% / in accordance with DIN 50015</b>	°C	35
<b>Ambient temperature</b>	°C	-10 ... +40
<b>Protection class IP</b>		IP20, with connected conductors
<b>mounting position</b>		any

#### Certificates/approvals:

General Product Approval

Declaration of  
Conformity

other



[Environmental  
Confirmations](#)

**Further information:**

**Information- and Downloadcenter (Catalogs, Brochures,...)**

<http://www.siemens.com/lowvoltage/catalogs>

**Industry Mall (Online ordering system)**

<http://www.siemens.com/lowvoltage/mall>

**Service&Support (Manuals, Certificates, Characteristics, FAQs,...)**

<http://support.automation.siemens.com/WW/view/en/5TT4105-2/all>

**Image database (product images, 2D dimension drawings, 3D models, device circuit diagrams, ...)**

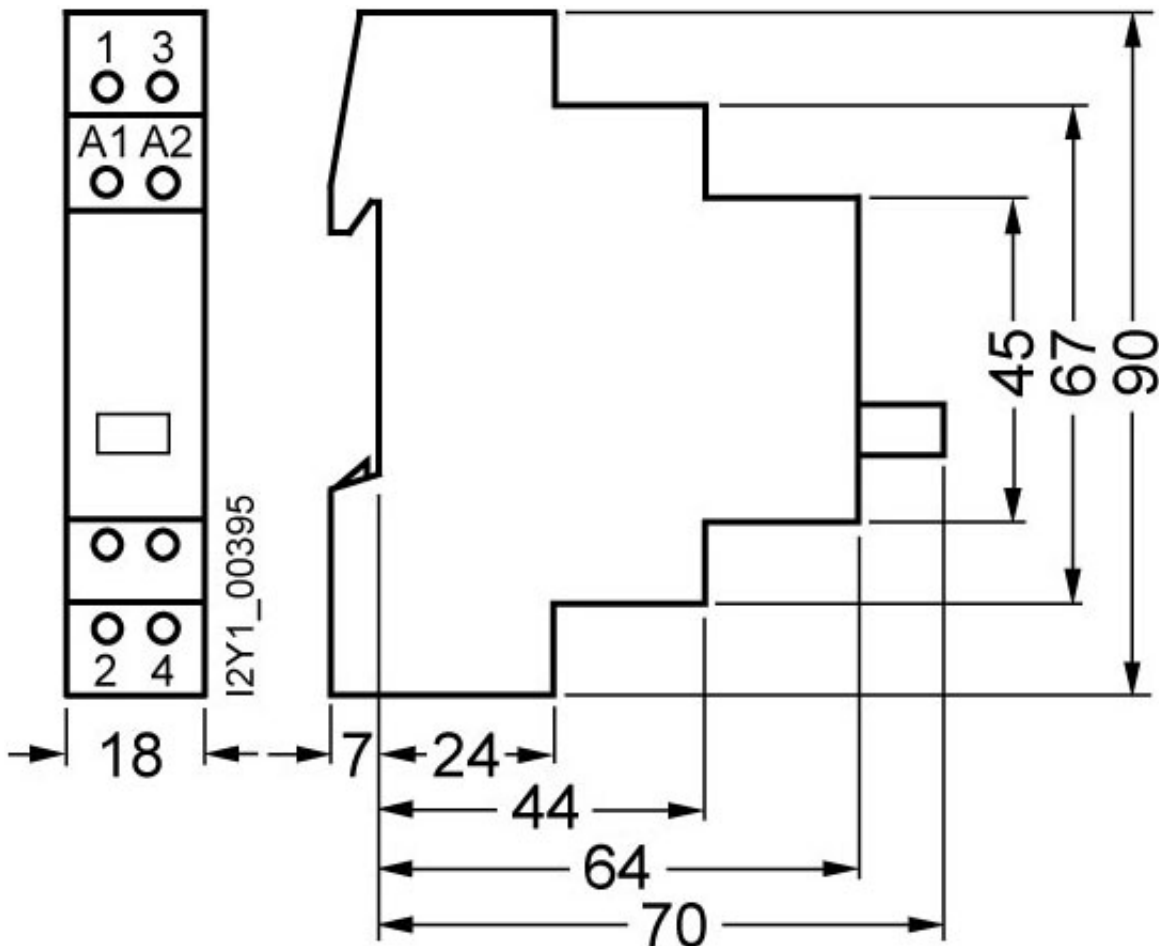
[http://www.automation.siemens.com/bilddb/cax\\_en.aspx?mlfb=5TT4105-2](http://www.automation.siemens.com/bilddb/cax_en.aspx?mlfb=5TT4105-2)

**CAX-Online-Generator**

<http://www.siemens.com/cax>

**Tender specifications**

[Datanorm GAEB81](#) [GAEB83](#) [RTF](#) [TXT](#)



last change:

Mar 18, 2013