





SWITCH, D=70MM 32A 3NC+N,
TERMINAL 6QMM W. AUXILIARY.CURRENT SWITCH
1NC/1NO

Similar to image

Technical data:

Mounting depth	mm	70
Operating voltage / rated value	V	400
Operating current / rated value	A	32
type of voltage		AC
Number of poles		1
Breaking capacity current / rated value	kA	0.096
Resistance against short-circuit current	kA	10
Design of the switching function		Off switch
Number of pitch units for width		1.5
Number of NC contacts		0
Number of NO contacts		3
Number of change-over switches		0
Product component / Signal lamp		No
Product function / positive opening (acc. to DIN VDE 0113)		No

Certificates/approvals:

General Product Approval	Declaration of Conformity	Test Certificates	other
 GOST	 EG-Konf.	Type Test Certificates/Test Report	Environmental Confirmations

Further information:

Information- and Downloadcenter (Catalogs, Brochures,...)

<http://www.siemens.com/lowvoltage/catalogs>

Industry Mall (Online ordering system)

<http://www.siemens.com/lowvoltage/mall>

Service&Support (Manuals, Certificates, Characteristics, FAQs,...)

<http://support.automation.siemens.com/WW/view/en/5TE8218/all>

Image database (product images, 2D dimension drawings, 3D models, device circuit diagrams, ...)

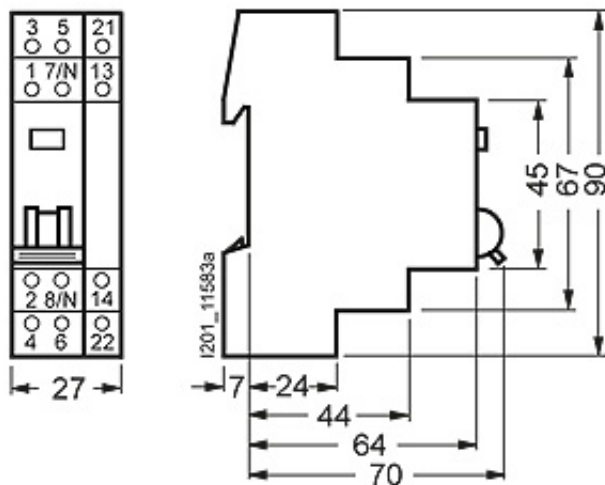
http://www.automation.siemens.com/bilddb/cax_en.aspx?mlfb=5TE8218

CAX-Online-Generator

<http://www.siemens.com/cax>

Tender specifications

[Datanorm GAEB81](#) [GAEB83](#) [RTF](#) [TXT](#)



last change:

Mar 5, 2013