

PUSHBUTTON, D=70MM 2NO 20A, 1BUTTON GREY



Similar to image

Technical data:

| | | |
|--|----|----------------|
| Nature of fluorescent material | | not applicable |
| Number of NC contacts | | 0 |
| type of voltage | | AC |
| Number of change-over switches | | 0 |
| Mounting depth | mm | 70 |
| Number of NO contacts | | 2 |
| Number of pitch units for width | | 1 |
| Current / rated value | A | 20 |
| Color / of the button | | grey |
| Product component / Signal lamp | | No |
| Operating voltage / rated value | V | 400 |
| Protection class IP | | IP20 |
| Holder design / for fluorescent material | | not applicable |
| Color / of the lens | | not applicable |

Certificates/approvals:

General Product Approval

Declaration of
Conformity

other



[Environmental
Confirmations](#)

Further information:

Information- and Downloadcenter (Catalogs, Brochures,...)

<http://www.siemens.com/lowvoltage/catalogs>

Industry Mall (Online ordering system)

<http://www.siemens.com/lowvoltage/mall>

Service&Support (Manuals, Certificates, Characteristics, FAQs,...)

<http://support.automation.siemens.com/WW/view/en/5TE4811/all>

Image database (product images, 2D dimension drawings, 3D models, device circuit diagrams, ...)

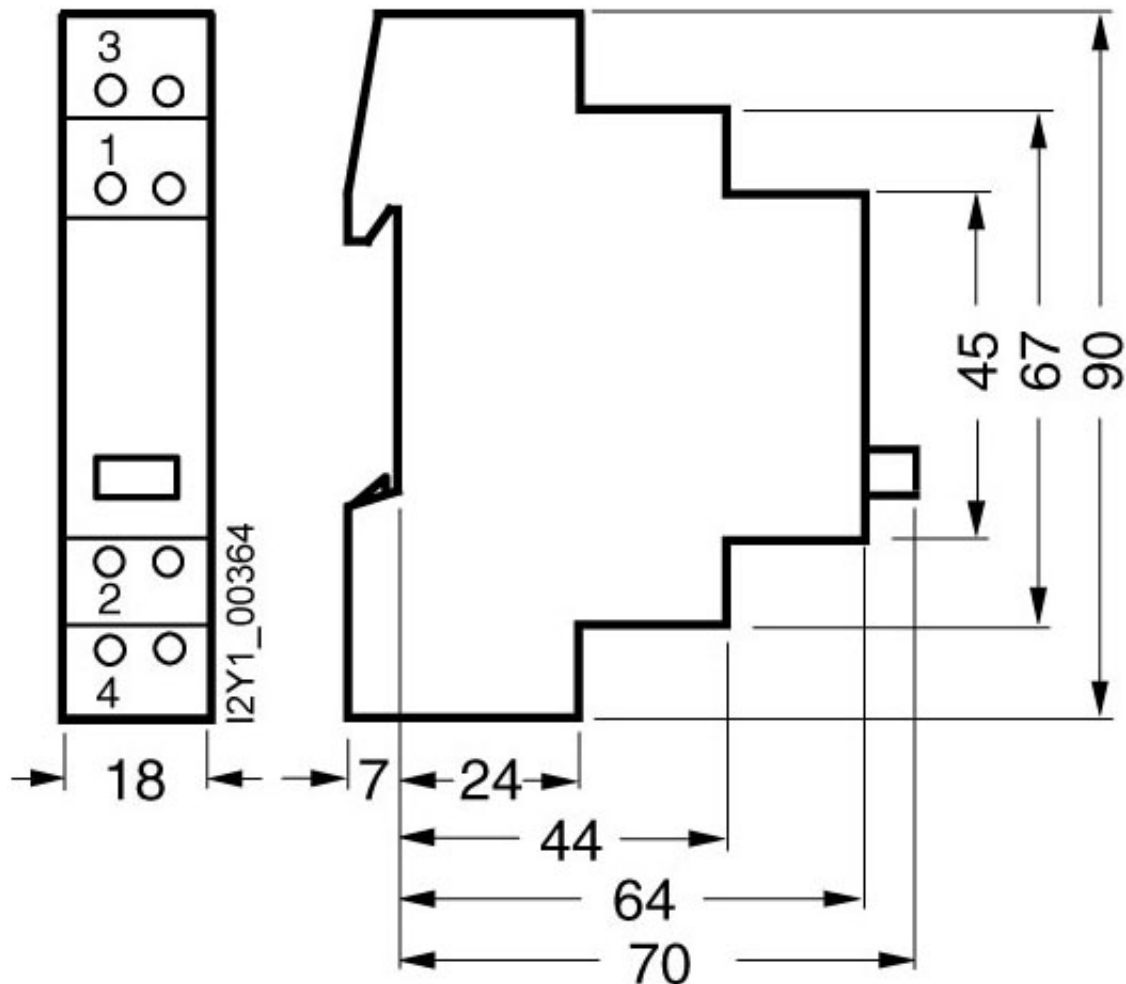
http://www.automation.siemens.com/bilddb/cax_en.aspx?mlfb=5TE4811

CAX-Online-Generator

<http://www.siemens.com/cax>

Tender specifications

[Datanorm GAEB81](#) [GAEB83](#) [RTF](#) [TXT](#)



last change:

Mar 18, 2013