

RES.CUR.OP.CIRCUIT BREAKER TYPE A 80A 1+N-
POLE 300MA 230V 2MW SELECTIVE



Model		
product brand name		SENTRON
Product designation		RCCB
Design of the product		Selective
General technical data		
Number of poles		2
Size of installation devices / acc. to DIN 43880		1
Protection against electrical shock		Finger and back-of-hand safe
Short-circuit current rating	kA	10
circuit-breaker / Design		5SV3
Mechanical service life (switching cycles) / typical		10 000
Overvoltage category		III
Supply voltage		
Supply voltage		
<ul style="list-style-type: none"> at AC / Rated value 	V	230
<ul style="list-style-type: none"> for testing equipment / minimum 	V	100
Protection class		

Protection class IP		IP20, if the distribution board is installed, with connected conductors
Switching capacity		
Switching capacity current		
• acc. to EN 60898 / Rated value	kA	0.8
Dissipation		
Active power loss		
• for rated value of the current / at AC / in hot operating state / per pole	W	3.9
Electricity		
Tripping residual current / Rated value	mA	300
rated current I_n / IEC, DIN/VDE / at 40 Cel	A	80
Type of fault current		A
Current / at AC / Rated value	A	80
Surge current resistance / Rated value	kA	5
Product details		
Product property		
• halogen-free		Yes
• silicon-free		Yes
Product expansion / can be installed / supplementary devices		Yes
Number		
Number of test cycles / for environmental testing / acc. to IEC 60068-2-30		28
Connections		
Connectable conductor cross-section / stranded		
• minimum	mm ²	0.75
• maximum	mm ²	35
Connectable conductor cross-section / solid		
• minimum	mm ²	0.75
• maximum	mm ²	35
Tightening torque / with screw-type terminals		
• minimum	N·m	2.5
• maximum	N·m	3
Position / of power supply cord		top or bottom
Mechanical Design		
Height	mm	90
Width	mm	36
Depth	mm	70
mounting position		any

Installation depth	mm	70
Number of width units		2
Mounting type		DIN rail (REG)

Environmental conditions

Ambient temperature		
• minimum	°C	-25
• maximum	°C	45
• during storage / minimum permissible	°C	-40
• during storage / maximum permissible	°C	75

Certificates

Equipment marking		
• acc. to DIN EN 61346-2		F
• acc. to DIN EN 81346-2		F

General Product Approval



Further information

Information- and Downloadcenter (Catalogs, Brochures,...)

<http://www.siemens.com/lowvoltage/catalogs>

Industry Mall (Online ordering system)

<https://eb.automation.siemens.com/mall/en/WW/Catalog/Product/5SV36178>

Service&Support (Manuals, Certificates, Characteristics, FAQs,...)

<http://support.automation.siemens.com/WW/view/en/5SV36178/all>

Image database (product images, 2D dimension drawings, 3D models, device circuit diagrams, ...)

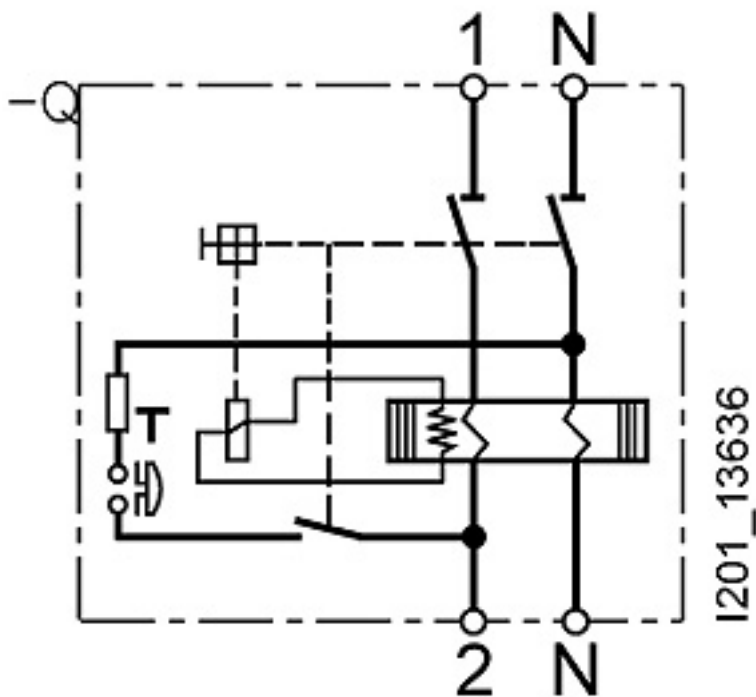
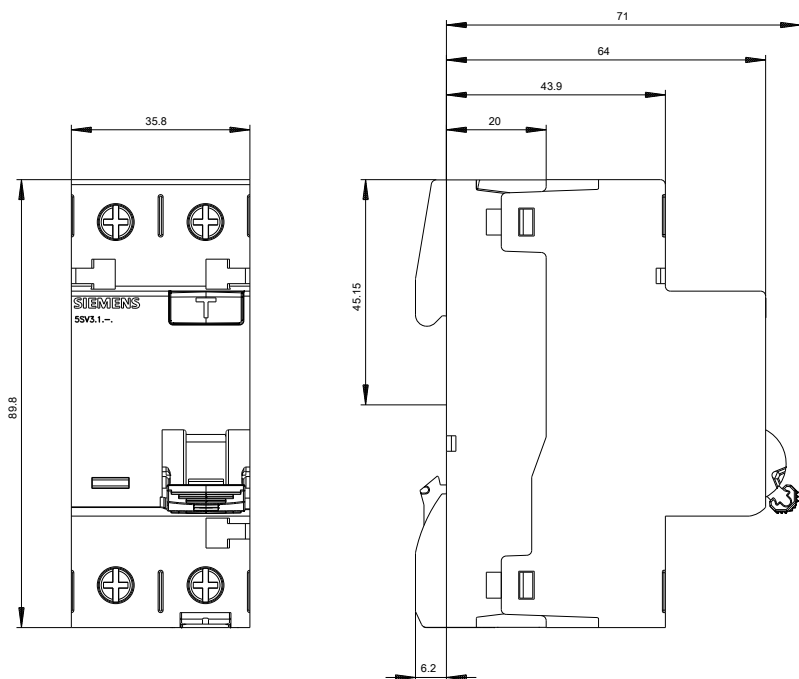
http://www.automation.siemens.com/bilddb/cax_en.aspx?mlfb=5SV36178

CAX-Online-Generator

<http://www.siemens.com/cax>

Tender specifications

<http://ausschreibungstexte.siemens.com/tiplv>



last modified:

22.09.2015