

PIN BUS BAR SHOCKHAZARD SAFETY,  
16QMM 4 PHASE, L= 1016MM CAN BE CUT,  
WITHOUT END CAPS



Similar to image

#### Technical data:

<b>Busbar design</b>		laminated
<b>Length</b>	mm	1,016
<b>Width</b>	mm	20
<b>Operating current / rated value</b>	A	80
<b>Thickness / of busbar</b>	mm	18
<b>Material / of the busbar</b>		SF-Cu F 24
<b>Product property / flexible</b>		Yes
<b>Traitement de surface / étamé</b>		No

#### Certificates/approvals:

General Product  
Approval

Declaration of  
Conformity

other



[other](#)

#### Further information:

Information- and Downloadcenter (Catalogs, Brochures,...)

<http://www.siemens.com/lowvoltage/catalogs>

---

Industry Mall (Online ordering system)

<http://www.siemens.com/lowvoltage/mall>

---

Service&Support (Manuals, Certificates, Characteristics, FAQs,...)

<http://support.automation.siemens.com/WW/view/en/5ST3716/all>

---

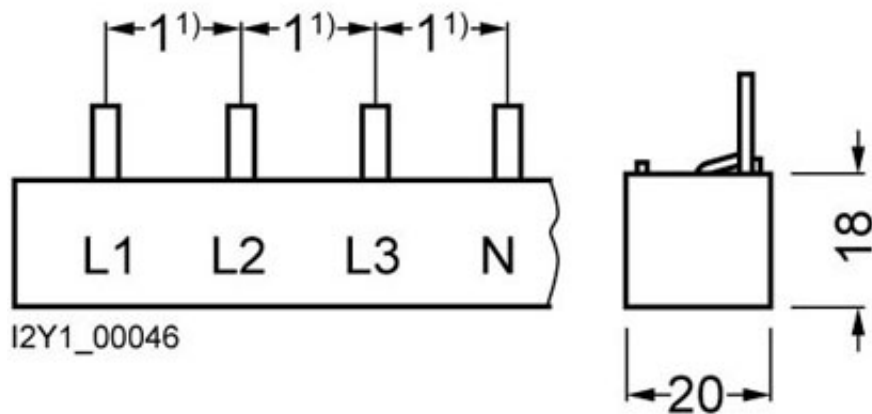
Image database (product images, 2D dimension drawings, 3D models, device circuit diagrams, ...)

[http://www.automation.siemens.com/bilddb/cax\\_en.aspx?mlfb=5ST3716](http://www.automation.siemens.com/bilddb/cax_en.aspx?mlfb=5ST3716)

---

CAX-Online-Generator

<http://www.siemens.com/cax>



1) Pin spacings in MW (Modular widths, 1 MW = 18 mm).

last change:

Nov 29, 2012