



DIAZED FUSE LINK 500V TIME-LAG TNDZ SERIES SIZE DII,
THREAD E16, 4A

Similar to image

Technical data:

Color coding of the fuse link		brown
Current / for AC / rated value	A	4
Tripping characteristic class		slow acting (T)
Size of the fallback-system / acc. to DIN EN 60269-1		NDz
Supply voltage		
• for AC / rated value	V	500
• for DC	V	500
Switching capacity current		
• in accordance with IEC 60947-2 / rated value	kA	40
• with DC / in accordance with IEC 60947-2 / rated value	kA	1.6
Ambient temperature		
• minimum	°C	-5
• maximum	°C	40

Certificates/approvals:

General Product Approval

Declaration of
Conformity

other



[Environmental
Confirmations](#)

Further information:

Information- and Downloadcenter (Catalogs, Brochures,...)

<http://www.siemens.com/lowvoltage/catalogs>

Industry Mall (Online ordering system)

<http://www.siemens.com/lowvoltage/maill>

Service&Support (Manuals, Certificates, Characteristics, FAQs,...)

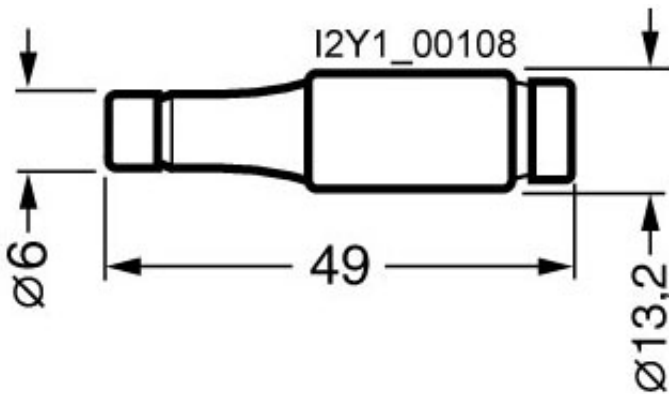
<http://support.automation.siemens.com/WW/view/en/5SA221/all>

Image database (product images, 2D dimension drawings, 3D models, device circuit diagrams, ...)

http://www.automation.siemens.com/bilddb/cax_en.aspx?mlfb=5SA221

CAX-Online-Generator

<http://www.siemens.com/cax>



last change:

Nov 4, 2012