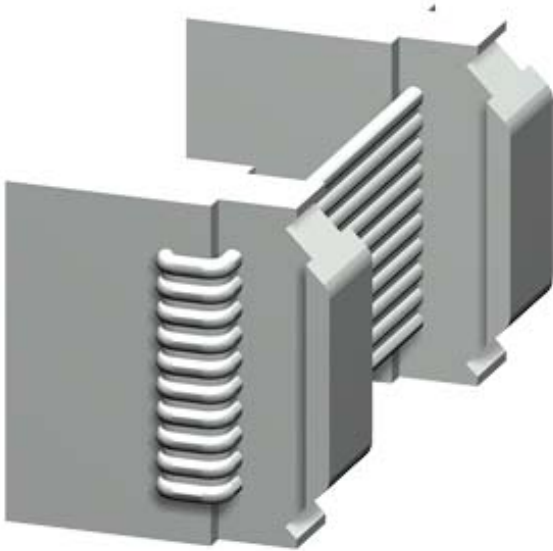






CONNECTION CABLE; LENGTH 0,1M; FLAT; CONNECTION OF BASIC UNIT TO CURRENT MEASURING MODULE, CURRENT/VOLTAGE MEASUR. MODULE, OPERATOR PANEL OR TO EXPANSION MODULES VIA SYSTEM INTERFACE




General technical data:

<b>product brandname</b>	SIRIUS
<b>Product designation</b>	Connection cable/length 0.1 m/flat
<b>Design of the product</b>	For connection of the system components
<b>Ambient temperature</b>	
• during storage	-40 ... +80 °C
• during operation	-25 ... +60 °C
• during transport	-40 ... +80 °C

Certificates/ approvals:

General Product Approval	EMC	Test Certificates		Shipping Approval
 UL		 C-Tick	<a href="#">Type Test Certificates/Test Report</a>	<a href="#">Special Test Certificate</a>  ABS

Shipping Approval					other
 BUREAU VERITAS	 DNV	 GL	 PRS	 RMRS	<a href="#">Confirmation</a>

other		
<a href="#">PROFIsafe-Certification</a>	<a href="#">PROFINET-Certification</a>	 Profibus

### Further information

**Information- and Downloadcenter (Catalogs, Brochures,...)**  
<http://www.siemens.com/industrial-controls/catalogs>

**Industry Mall (Online ordering system)**  
<https://mall.industry.siemens.com/mall/en/en/Catalog/product?mlfb=3UF7931-0AA00-0>

**Cax online generator**  
<http://support.automation.siemens.com/WW/CAXorder/default.aspx?lang=en&mlfb=3UF7931-0AA00-0>

**Service&Support (Manuals, Certificates, Characteristics, FAQs,...)**  
<https://support.industry.siemens.com/cs/ww/en/ps/3UF7931-0AA00-0>

**Image database (product images, 2D dimension drawings, 3D models, device circuit diagrams, EPLAN macros, ...)**  
[http://www.automation.siemens.com/bilddb/cax\\_de.aspx?mlfb=3UF7931-0AA00-0&lang=en](http://www.automation.siemens.com/bilddb/cax_de.aspx?mlfb=3UF7931-0AA00-0&lang=en)

