

DIGITAL MODULE; 4 INPUTS AND 2 RELAY OUTPUTS; INPUT VOLTAGE AC/DC 110-240V MONOSTABLE RELAY OUTPUTS; MAXIMUM 2 DIGITAL MODULES PER BASIC UNIT 2



Product brand name	SIRIUS
Product designation	digital modules
General technical data	
Product component	
<ul style="list-style-type: none"> • input for thermistor connection 	No
<ul style="list-style-type: none"> • input for analog temperature sensors 	No
<ul style="list-style-type: none"> • input for ground fault detection 	No
Insulation voltage	
<ul style="list-style-type: none"> • rated value 	300 V
Surge voltage resistance rated value	4 000 V
Protection class IP	IP20
Vibration resistance	1-6 Hz / 15 mm; 6-500 Hz / 2 g
Switching behavior	monostable
Certificate of suitability	CE / UL / CSA / CCC / C-Tick (RCM) / GOST / NOM / ATEX / NEPSI / ABS / DNV / GL / LRS / RoHS
Equipment marking	
<ul style="list-style-type: none"> • acc. to DIN EN 61346-2 	K
<ul style="list-style-type: none"> • acc. to DIN EN 81346-2 	K

Electromagnetic compatibility	
EMC emitted interference	
<ul style="list-style-type: none"> • acc. to IEC 60947-1 	class A
Conducted interference	
<ul style="list-style-type: none"> • due to burst acc. to IEC 61000-4-4 	1 kV
<ul style="list-style-type: none"> • due to conductor-earth surge acc. to IEC 61000-4-5 	2 kV
<ul style="list-style-type: none"> • due to conductor-conductor surge acc. to IEC 61000-4-5 	1 kV
Field-bound parasitic coupling acc. to IEC 61000-4-3	10 V/m
Inputs/ Outputs	
Number of inputs	4
Number of digital inputs	4
Number of analog inputs	0
Number of outputs	2
Number of outputs as contact-affected switching element	2
Number of analog outputs	0
Number of semiconductor outputs	0
Installation/ mounting/ dimensions	
Mounting position	any
Mounting type	screw and snap-on mounting
Height	92 mm
Width	22.5 mm
Depth	124 mm
Connections/Terminals	
Type of electrical connection	
<ul style="list-style-type: none"> • for auxiliary and control current circuit 	screw-type terminals
Ambient conditions	
Ambient temperature	
<ul style="list-style-type: none"> • during operation 	-25 ... +60 °C
<ul style="list-style-type: none"> • during storage 	-40 ... +80 °C
<ul style="list-style-type: none"> • during transport 	-40 ... +80 °C
Relative humidity	
<ul style="list-style-type: none"> • during operation 	5 ... 95 %
Safety related data	
Protection against electrical shock	finger-safe
Control circuit/ Control	
Type of voltage of the control supply voltage	AC/DC
Control supply voltage at AC	
<ul style="list-style-type: none"> • at 50 Hz rated value 	110 ... 240 V

- at 60 Hz rated value

110 ... 240 V

Control supply voltage at DC

- rated value

110 ... 240 V

Certificates/approvals

General Product Approval	EMC	For use in hazardous locations
---------------------------------	------------	---------------------------------------



CCC



CSA



UL



C-Tick



ATEX

For use in hazardous locations	Declaration of Conformity	Test Certificates	Shipping Approval
---------------------------------------	----------------------------------	--------------------------	--------------------------

[Explosion Protection Certificate](#)



EG-Konf.

[Type Test Certificates/Test Report](#)

[Special Test Certificate](#)



ABS



DNV

Shipping Approval	other
--------------------------	--------------



GL



RMRS

[Confirmation](#)

[PROFINET-Certification](#)



Profibus

[PROFIsafe-Certification](#)

Further information

Information- and Downloadcenter (Catalogs, Brochures,...)

<http://www.siemens.com/industrial-controls/catalogs>

Industry Mall (Online ordering system)

<https://mall.industry.siemens.com/mall/en/en/Catalog/product?mfb=3UF7300-1AU00-0>

Cax online generator

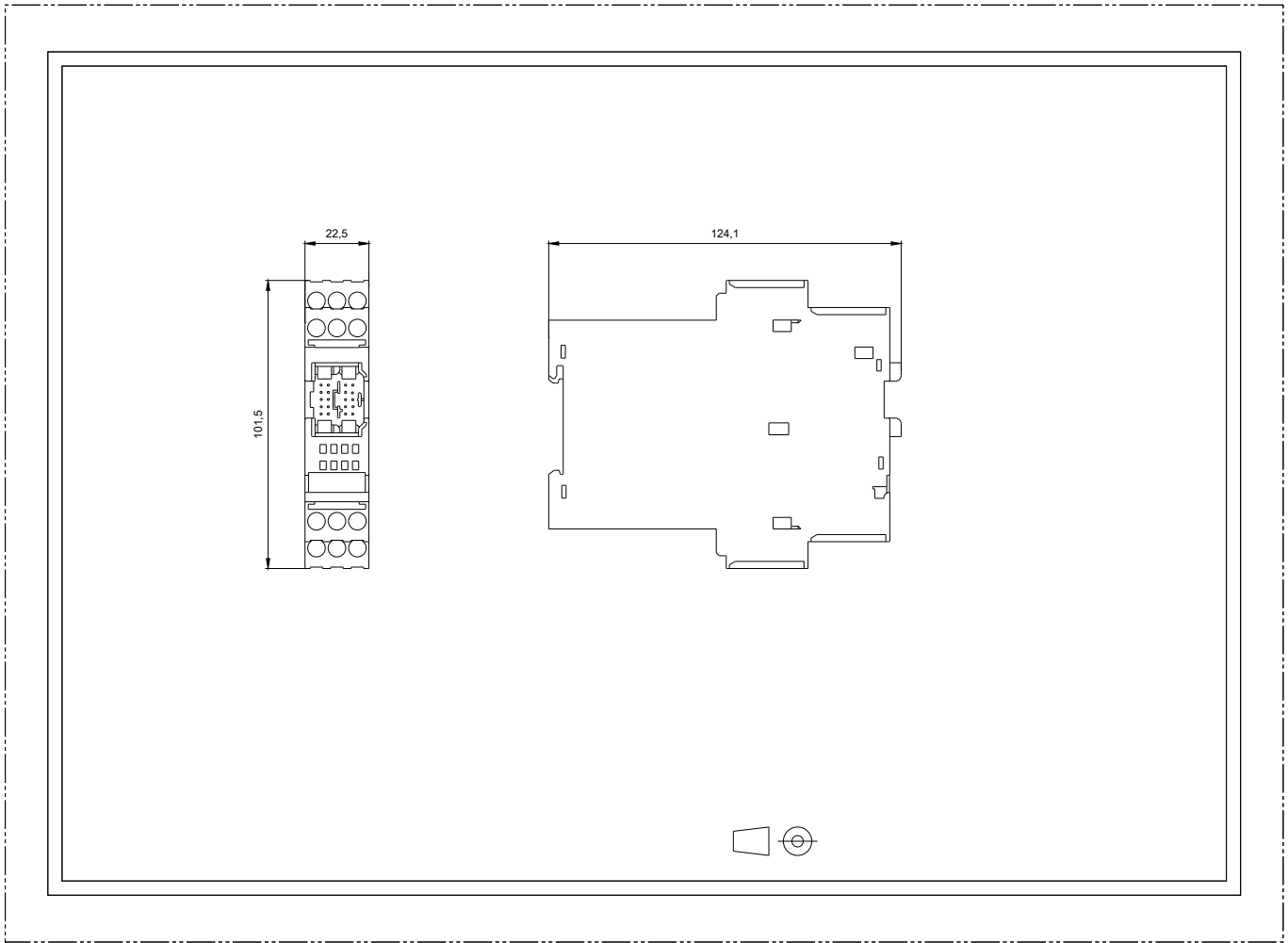
<http://support.automation.siemens.com/WW/CAXorder/default.aspx?lang=en&mfb=3UF7300-1AU00-0>

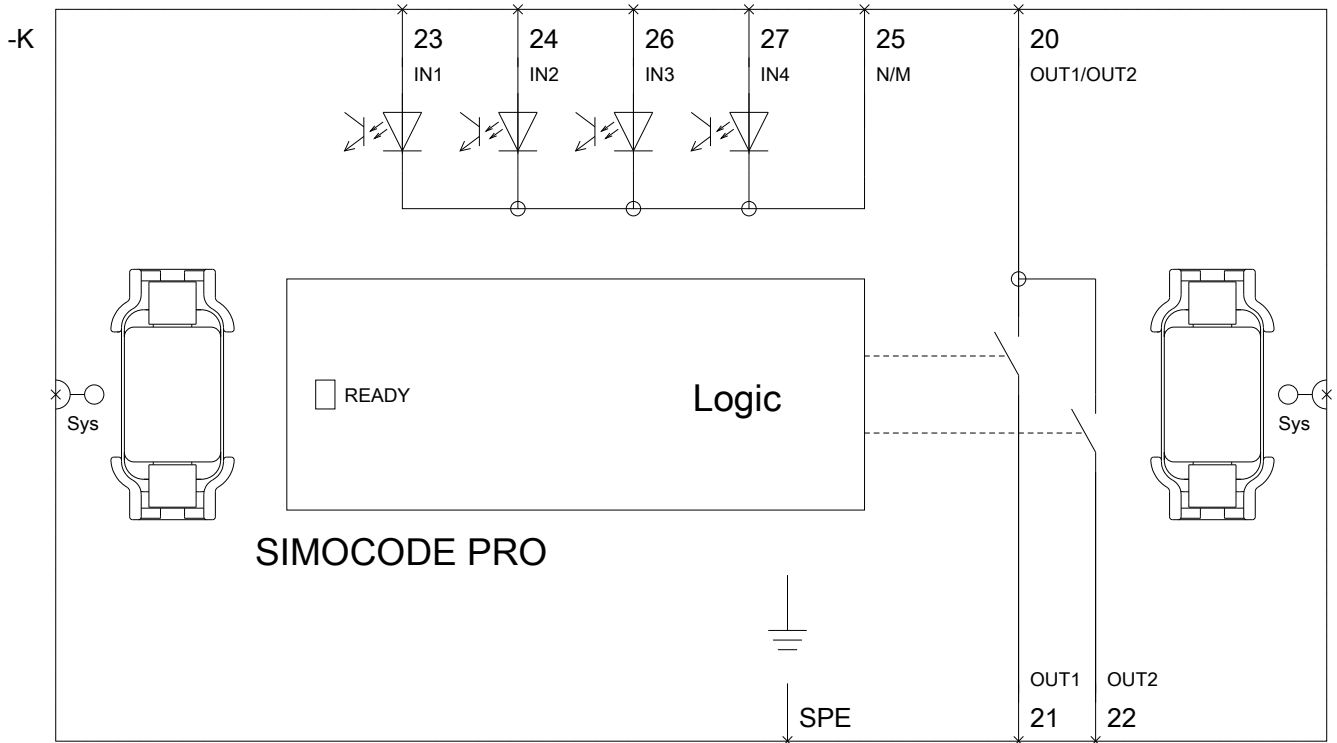
Service&Support (Manuals, Certificates, Characteristics, FAQs,...)

<https://support.industry.siemens.com/cs/ww/en/ps/3UF7300-1AU00-0>

Image database (product images, 2D dimension drawings, 3D models, device circuit diagrams, EPLAN macros, ...)

http://www.automation.siemens.com/bilddb/cax_de.aspx?mfb=3UF7300-1AU00-0&lang=en





last modified:

07/07/2017