

DIGITAL MODULE; 4 INPUTS AND 2 RELAY OUTPUTS; INPUT VOLTAGE DC 24V; MONOSTABLE RELAY OUTPUTS; MAXIMUM 2 DIGITAL MODULES PER BASIC UNIT 2



<b>Product brand name</b>	SIRIUS
<b>Product designation</b>	digital modules
<b>General technical data</b>	
<b>Product component</b>	
<ul style="list-style-type: none"> <li>• input for thermistor connection</li> </ul>	No
<ul style="list-style-type: none"> <li>• input for analog temperature sensors</li> </ul>	No
<ul style="list-style-type: none"> <li>• input for ground fault detection</li> </ul>	No
<b>Insulation voltage</b>	
<ul style="list-style-type: none"> <li>• rated value</li> </ul>	300 V
<b>Surge voltage resistance rated value</b>	4 000 V
<b>Protection class IP</b>	IP20
<b>Vibration resistance</b>	1-6 Hz / 15 mm; 6-500 Hz / 2 g
<b>Switching behavior</b>	monostable
<b>Certificate of suitability</b>	CE / UL / CSA / CCC / C-Tick (RCM) / GOST / NOM / ATEX / NEPSI / ABS / DNV / GL / LRS / RoHS
<b>Equipment marking</b>	
<ul style="list-style-type: none"> <li>• acc. to DIN EN 61346-2</li> </ul>	K
<ul style="list-style-type: none"> <li>• acc. to DIN EN 81346-2</li> </ul>	K

Electromagnetic compatibility	
<b>EMC emitted interference</b>	
<ul style="list-style-type: none"> <li>• acc. to IEC 60947-1</li> </ul>	class A
<b>Conducted interference</b>	
<ul style="list-style-type: none"> <li>• due to burst acc. to IEC 61000-4-4</li> </ul>	1 kV
<ul style="list-style-type: none"> <li>• due to conductor-earth surge acc. to IEC 61000-4-5</li> </ul>	2 kV
<ul style="list-style-type: none"> <li>• due to conductor-conductor surge acc. to IEC 61000-4-5</li> </ul>	1 kV
<b>Field-bound parasitic coupling acc. to IEC 61000-4-3</b>	10 V/m

Inputs/ Outputs	
<b>Number of inputs</b>	4
<b>Number of digital inputs</b>	4
<b>Number of analog inputs</b>	0
<b>Number of outputs</b>	2
<b>Number of outputs as contact-affected switching element</b>	2
<b>Number of analog outputs</b>	0
<b>Number of semiconductor outputs</b>	0

Installation/ mounting/ dimensions	
<b>Mounting position</b>	any
<b>Mounting type</b>	screw and snap-on mounting
<b>Height</b>	92 mm
<b>Width</b>	22.5 mm
<b>Depth</b>	124 mm

Connections/Terminals	
<b>Type of electrical connection</b>	
<ul style="list-style-type: none"> <li>• for auxiliary and control current circuit</li> </ul>	screw-type terminals

Ambient conditions	
<b>Ambient temperature</b>	
<ul style="list-style-type: none"> <li>• during operation</li> </ul>	-25 ... +60 °C
<ul style="list-style-type: none"> <li>• during storage</li> </ul>	-40 ... +80 °C
<ul style="list-style-type: none"> <li>• during transport</li> </ul>	-40 ... +80 °C
<b>Relative humidity</b>	
<ul style="list-style-type: none"> <li>• during operation</li> </ul>	5 ... 95 %

Safety related data	
<b>Protection against electrical shock</b>	finger-safe

Control circuit/ Control	
<b>Type of voltage of the control supply voltage</b>	DC
<b>Control supply voltage at DC</b>	
<ul style="list-style-type: none"> <li>• rated value</li> </ul>	24 ... 24 V

## Certificates/approvals

General Product Approval	EMC	For use in hazardous locations
--------------------------	-----	--------------------------------



CCC



CSA



UL



C-Tick



ATEX

For use in hazardous locations	Declaration of Conformity	Test Certificates	Shipping Approval
--------------------------------	---------------------------	-------------------	-------------------

[Explosion Protection Certificate](#)



EG-Konf.

[Type Test Certificates/Test Report](#)

[Special Test Certificate](#)



ABS



DNV

Shipping Approval	other
-------------------	-------



GL



RMRS

[Confirmation](#)

[PROFIsafe-Certification](#)



Profibus

[PROFINET-Certification](#)

## Further information

**Information- and Downloadcenter (Catalogs, Brochures,...)**

<http://www.siemens.com/industrial-controls/catalogs>

**Industry Mall (Online ordering system)**

<https://mall.industry.siemens.com/mall/en/en/Catalog/product?mlfb=3UF7300-1AB00-0>

**Cax online generator**

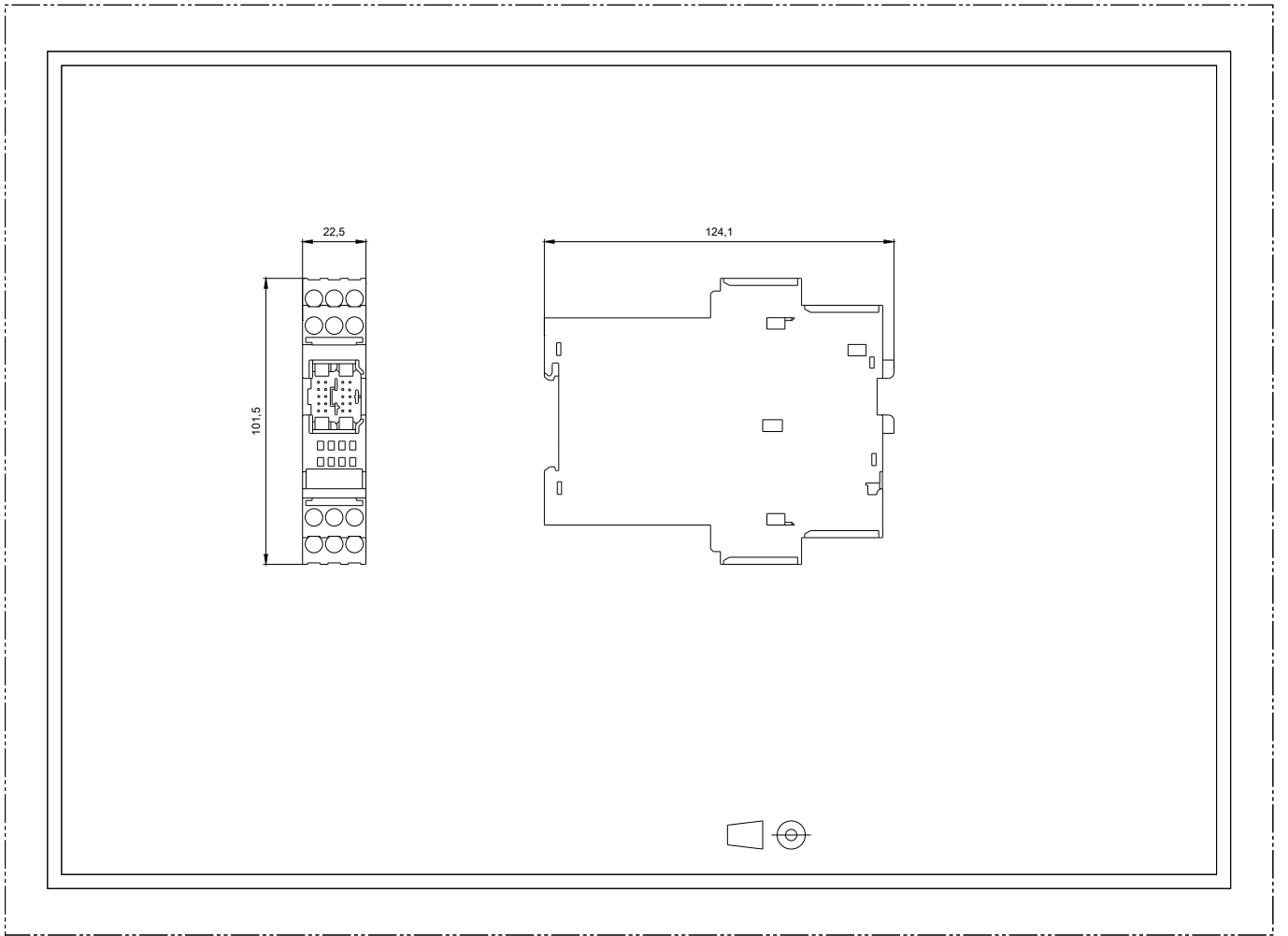
<http://support.automation.siemens.com/WW/CAXorder/default.aspx?lang=en&mlfb=3UF7300-1AB00-0>

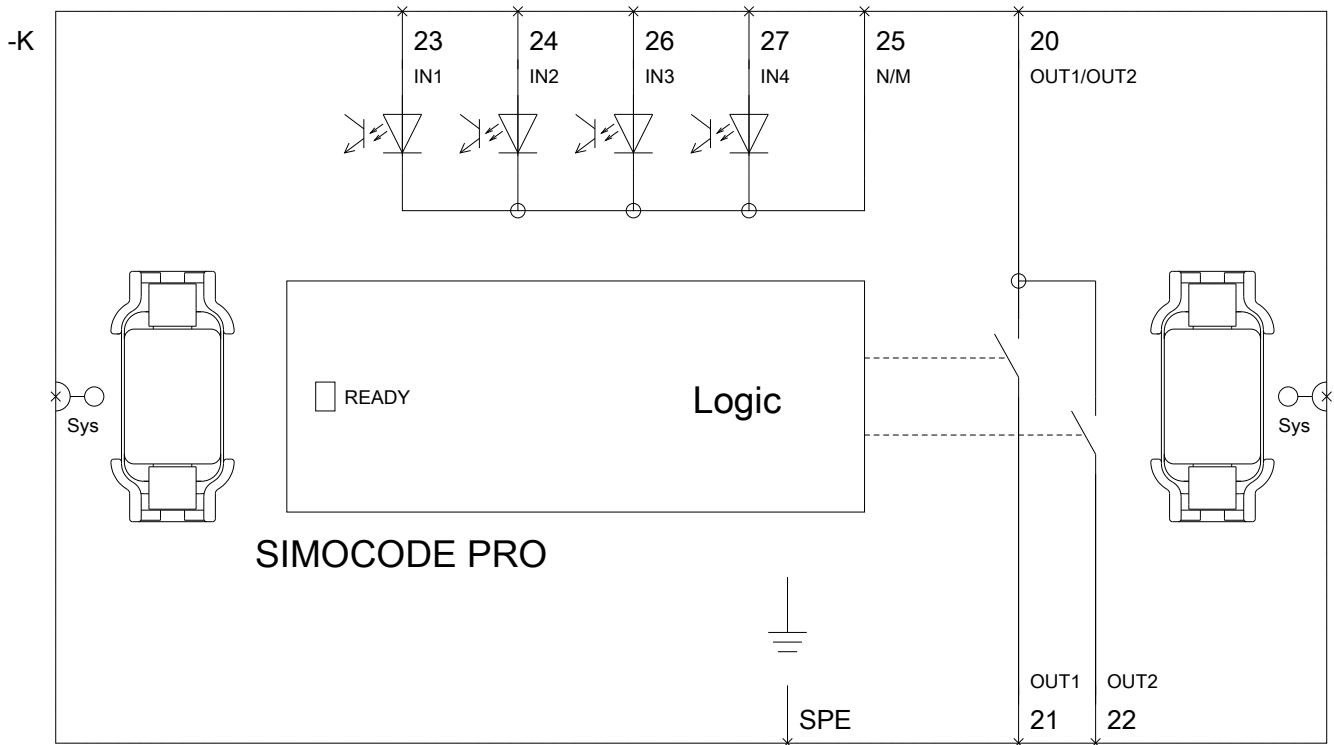
**Service&Support (Manuals, Certificates, Characteristics, FAQs,...)**

<https://support.industry.siemens.com/cs/ww/en/ps/3UF7300-1AB00-0>

**Image database (product images, 2D dimension drawings, 3D models, device circuit diagrams, EPLAN macros, ...)**

[http://www.automation.siemens.com/bilddb/cax\\_de.aspx?mlfb=3UF7300-1AB00-0&lang=en](http://www.automation.siemens.com/bilddb/cax_de.aspx?mlfb=3UF7300-1AB00-0&lang=en)





last modified:

07/07/2017