

SIRIUS CABLE-OPERATED SWITCH METAL HOUSING, 2X M20X1.5; 1NO+1NC, WITHOUT LATCHING FOR CABLE LENGTHS UP TO 25M



Product brand name	SIRIUS
Product designation	cable-operated switch
Product type designation	3SE7

General technical data

Product function	
<ul style="list-style-type: none"> EMERGENCY STOP function 	Yes
Protection class IP	IP65
Equipment marking	
<ul style="list-style-type: none"> acc. to DIN EN 61346-2 acc. to DIN EN 81346-2 	S S

Enclosure

Material of the enclosure	metal
Product component	
<ul style="list-style-type: none"> EMERGENCY STOP device 	No
Color	
<ul style="list-style-type: none"> of top part of the enclosure 	grey

Ambient conditions

Ambient temperature	
---------------------	--





- during operation

-25 ... +70 °C

Installation/ mounting/ dimensions

Mounting type	screw fixing
Height	164.5 mm
Width	52 mm
Depth	42.5 mm

Certificates/approvals

General Product Approval	Declaration of Conformity	Shipping Approval
 CCC	 EG-Konf.	 ABS
 CSA		 LRS

Shipping Approval	other
-------------------	-------



[Confirmation](#)

Further information

Information- and Downloadcenter (Catalogs, Brochures,...)

<http://www.siemens.com/industrial-controls/catalogs>

Industry Mall (Online ordering system)

<https://mall.industry.siemens.com/mall/en/en/Catalog/product?mlfb=3SE7150-2DD00>

Cax online generator

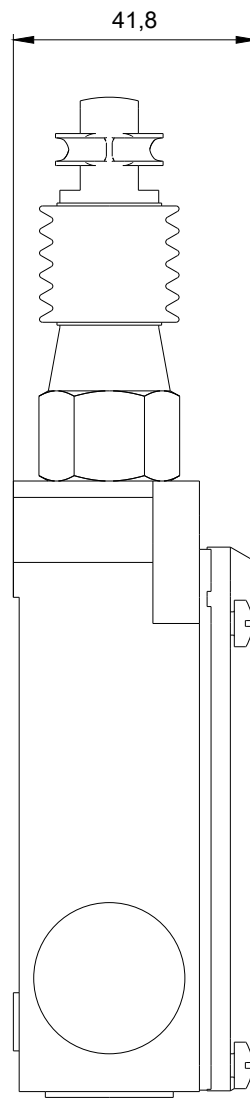
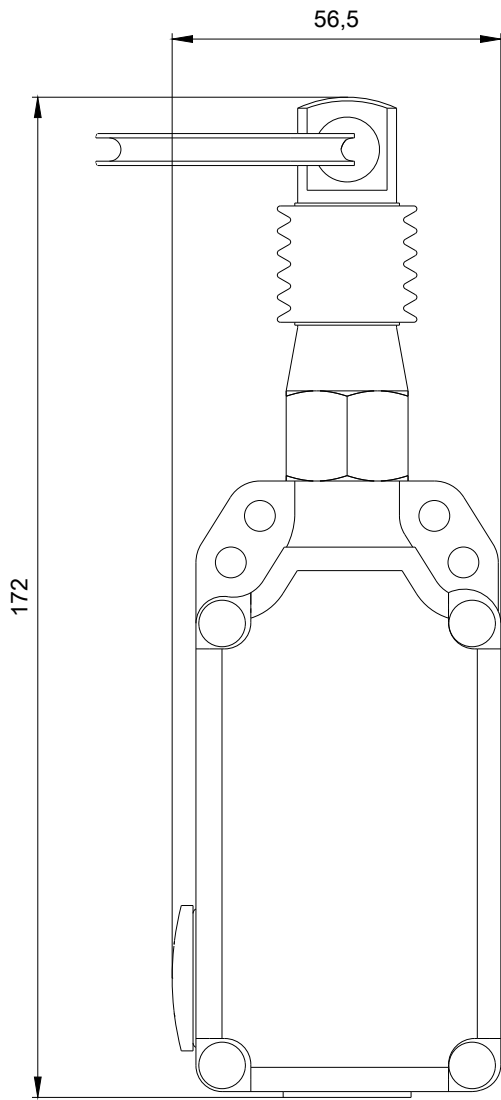
<http://support.automation.siemens.com/WW/CAXorder/default.aspx?lang=en&mlfb=3SE7150-2DD00>

Service&Support (Manuals, Certificates, Characteristics, FAQs,...)

<https://support.industry.siemens.com/cs/ww/en/ps/3SE7150-2DD00>

Image database (product images, 2D dimension drawings, 3D models, device circuit diagrams, EPLAN macros, ...)

http://www.automation.siemens.com/bilddb/cax_de.aspx?mlfb=3SE7150-2DD00&lang=en



last modified:

09/25/2017

W9.4444; 3SE7150
W7.2778;