

SIRIUS CABLE-OPERATED SWITCH METAL ENCLOSURE;
2XM20X1.5; 1NO+1NC, WITHOUT LATCH, CABLE-OPERATED
FUNCTION ONLY, MAX. ACTUATING FORCE 80N ACTUATING
FORCE 80N MAX.



Figure similar

Product brand name	SIRIUS
Product designation	cablе-operated switch
Product type designation	3SE7

General technical data	
Product function	
<ul style="list-style-type: none"> EMERGENCY STOP function 	Yes
Protection class IP	IP65
Equipment marking	
<ul style="list-style-type: none"> acc. to DIN EN 61346-2 acc. to DIN EN 81346-2 	S S

Enclosure	
Material of the enclosure	metal
Product component	
<ul style="list-style-type: none"> EMERGENCY STOP device 	No
Color	
<ul style="list-style-type: none"> of top part of the enclosure 	grey

Ambient conditions

Ambient temperature

- during operation

-25 ... +70 °C

Installation/ mounting/ dimensions

Mounting type

screw fixing

Height

164.5 mm

Width

52 mm

Depth

42.5 mm

Certificates/approvals

General Product Approval

Declaration of Conformity

Shipping Approval



CCC



EG-Konf.



ABS



LRS



PRS

other

[Confirmation](#)

Further information

Information- and Downloadcenter (Catalogs, Brochures,...)

<http://www.siemens.com/industrial-controls/catalogs>

Industry Mall (Online ordering system)

<https://mall.industry.siemens.com/mall/en/en/Catalog/product?mlfb=3SE7120-2DD01>

Cax online generator

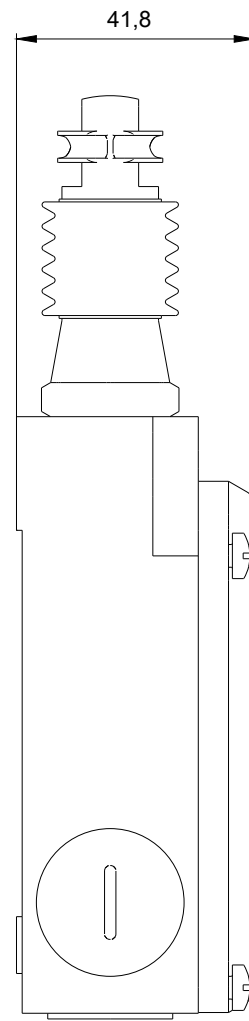
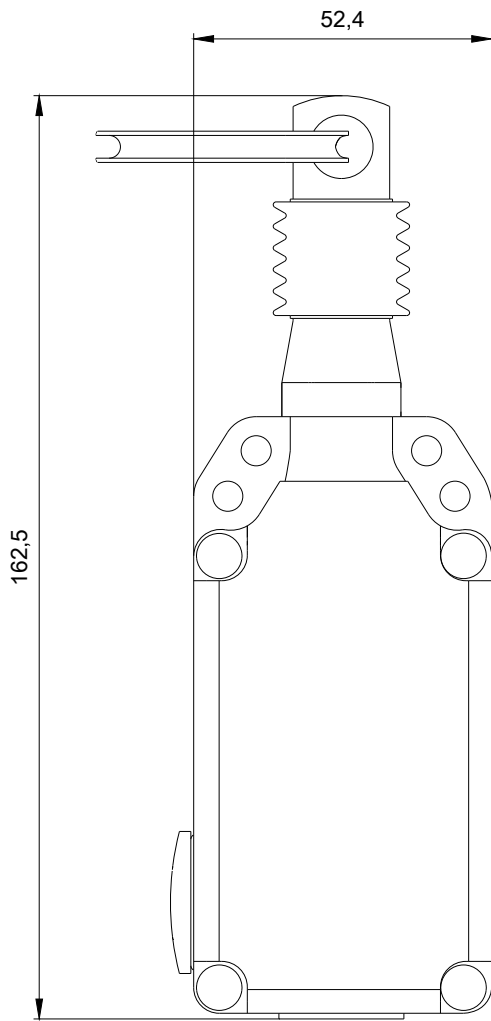
<http://support.automation.siemens.com/WW/CAXorder/default.aspx?lang=en&mlfb=3SE7120-2DD01>

Service&Support (Manuals, Certificates, Characteristics, FAQs,...)

<https://support.industry.siemens.com/cs/ww/en/ps/3SE7120-2DD01>

Image database (product images, 2D dimension drawings, 3D models, device circuit diagrams, EPLAN macros, ...)

http://www.automation.siemens.com/bilddb/cax_de.aspx?mlfb=3SE7120-2DD01&lang=en



W9.444; 3SE
W9.1667; 3SE

last modified:

09/25/2017