

MOULDED-PLASTIC ENCLOSURE FOR WALL MOUNTING WITH EMERGENCY STOP ROTARY OPERATING MECHANISM 54MM






General technical data:

Product designation		ISO surface-mounted housing with EMERGENCY OFF
Design of the product		Assembly
Material of the enclosure		plastic
Protection class IP of the enclosure		IP55
Product component transparent cover		No

Installation/ mounting/ dimensions:

Width	mm	85
Height	mm	155
Depth	mm	126

Certificates/approvals

Declaration of Conformity	Test Certificates	Shipping Approval		other	
 EG-Konf.	Special Test Certificate	 ABS	 RMRS	Environmental Confirmations	Confirmation

other

[Miscellaneous](#)

Further information

Information- and Downloadcenter (Catalogs, Brochures,...)

<http://www.siemens.com/industrial-controls/catalogs>

Industry Mall (Online ordering system)

<https://mall.industry.siemens.com/mall/en/en/Catalog/product?mlfb=3RV1923-1FA00>

Cax online generator

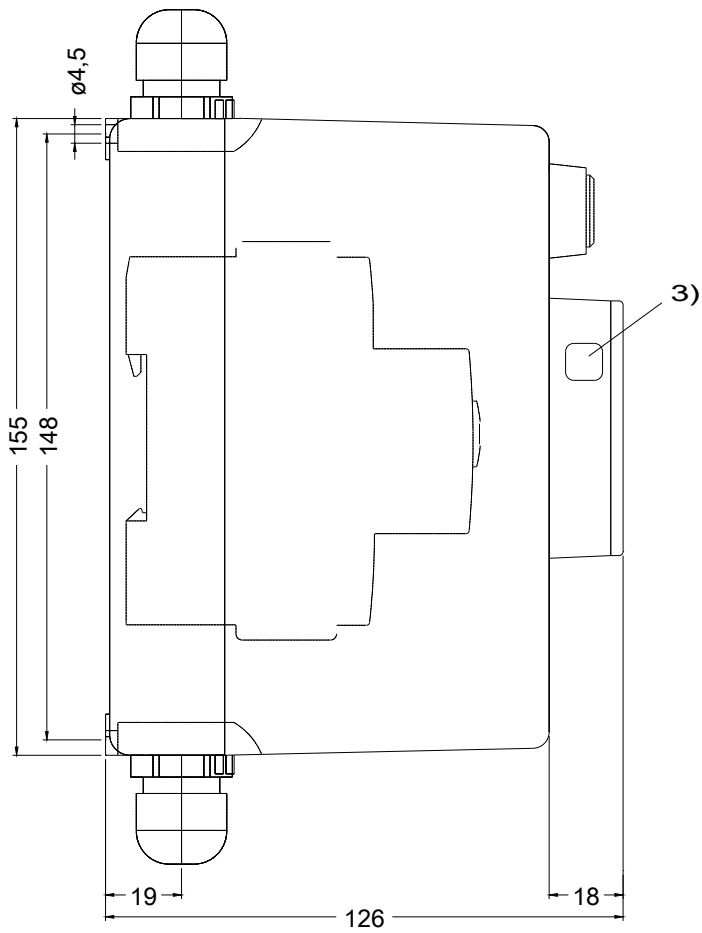
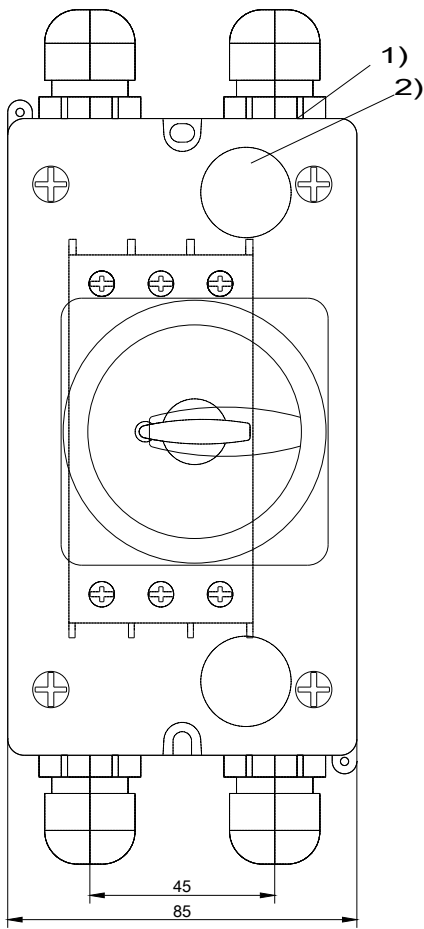
<http://support.automation.siemens.com/WW/CAXorder/default.aspx?lang=en&mlfb=3RV1923-1FA00>

Service&Support (Manuals, Certificates, Characteristics, FAQs,...)

<https://support.industry.siemens.com/cs/ww/en/ps/3RV1923-1FA00>

Image database (product images, 2D dimension drawings, 3D models, device circuit diagrams, EPLAN macros, ...)

http://www.automation.siemens.com/bilddb/cax_de.aspx?mlfb=3RV1923-1FA00&lang=en



- 1) Ausbrechoeffnung fuer Verschraubung M25
- 2) Ausbrechoeffnung fuer rueckseitige Leitungseinfuehrung
- 3) Oeffnung fuer Vorhaengeschluss mit Buegeldurchmesser max. 8 mm

last modified:

05/19/2017