

AS-INTERFACE MOUNTING PLATE K45 FOR WALL MOUNTING 1 X AS-INTERFACE CABLE (YELLOW) 1 X AS-INTERFACE CABLE (BLACK), HOLE GRID COMPATIBLE WITH MOUNTING PLATE K60



Figure similar

General technical data		
Type of device		accessories digital I/O modules for operation in the field, IP67 - K45
Design of the product		K45 mounting plate for wall mounting
Connections/Terminals		
connection		insulation piercing method for AS-Interface flat cable
Connection system		insulation piercing method for AS-Interface flat cable
Mechanical data		
Type of mounting		for wall mounting
Ambient conditions		
degree of protection		IP67 with screw-mounted K45 compact module
Certificates/approvals		

General Product Approval	Declaration of Conformity	Shipping Approval
--------------------------	---------------------------	-------------------



Shipping Approval	other
-------------------	-------



[Confirmation](#)

[Environmental Confirmations](#)

Further information

Information- and Downloadcenter (Catalogs, Brochures,...)

<http://www.siemens.com/industrial-controls/catalogs>

Industry Mall (Online ordering system)

<https://mall.industry.siemens.com/mall/en/en/Catalog/product?mlfb=3RK1901-2EA00>

Cax online generator

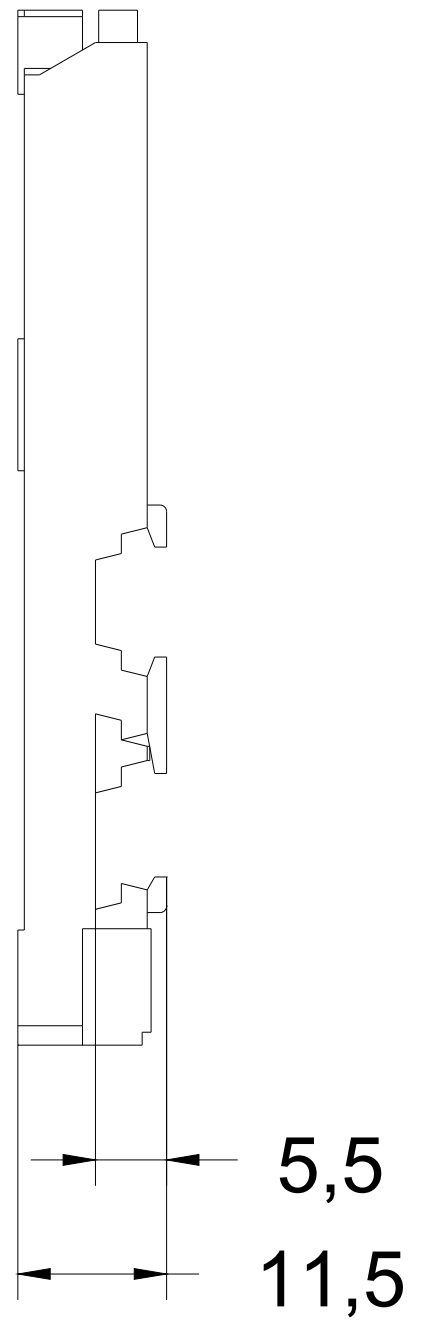
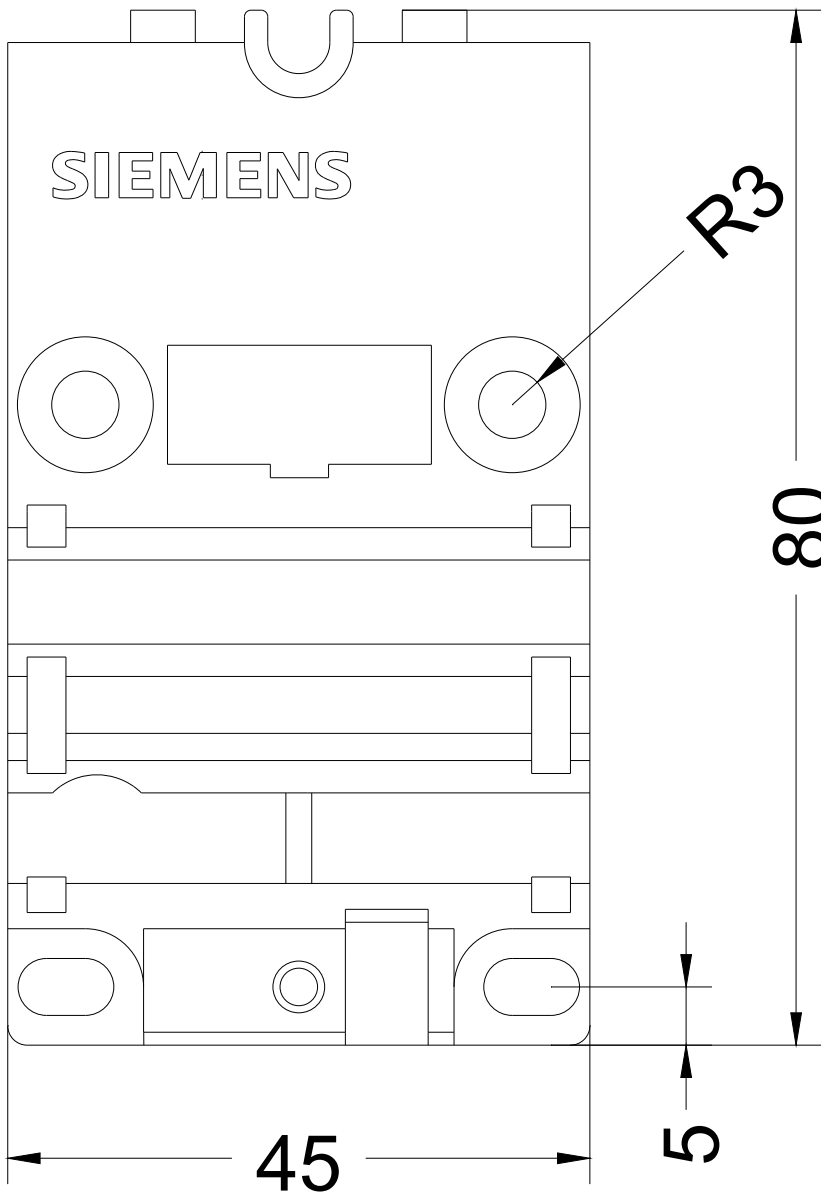
<http://support.automation.siemens.com/WW/CAXorder/default.aspx?lang=en&mlfb=3RK1901-2EA00>

Service&Support (Manuals, Certificates, Characteristics, FAQs,...)

<https://support.industry.siemens.com/cs/ww/en/ps/3RK1901-2EA00>

Image database (product images, 2D dimension drawings, 3D models, device circuit diagrams, EPLAN macros, ...)

http://www.automation.siemens.com/bilddb/cax_de.aspx?mlfb=3RK1901-2EA00&lang=en



last modified:

08/02/2017