

SIRIUS, COMPACT STARTER, DIRECT STARTER . 690 V, 24 V DC, 0.1 ... 0.4 A, IP20, CONN. MAIN CIRCUIT: SPRING-LOADED TERMINAL, CONN. CONTROL CIRCUIT: SPRING-LOADED TERMINAL



Product brand name	SIRIUS
Product designation	compact starter
Design of the product	direct starter

General technical data

Product function	
<ul style="list-style-type: none"> Control circuit interface to parallel wiring 	No
Product extension	
<ul style="list-style-type: none"> Auxiliary switch 	Yes
Insulation voltage	
<ul style="list-style-type: none"> rated value 	690 V
Degree of pollution	3
Surge voltage resistance rated value	6 000 V
Protection class IP	IP20
Vibration resistance	f= 4 ... 5.8 Hz, d= 15 mm; f= 5.8 ... 500 Hz, a= 20 m/s ² ; 10 cycles
Mechanical service life (switching cycles)	
<ul style="list-style-type: none"> of the main contacts typical of auxiliary contacts typical of the signaling contacts typical 	<p>10 000 000</p> <p>10 000 000</p> <p>10 000 000</p>

Electrical endurance (switching cycles) of auxiliary contacts	
<ul style="list-style-type: none"> • at DC-13 at 6 A at 24 V typical • at AC-15 at 6 A at 230 V typical 	<p>30 000</p> <p>200 000</p>
Type of assignment	continuous operation according to IEC 60947-6-2
Equipment marking	
<ul style="list-style-type: none"> • acc. to DIN EN 61346-2 • acc. to DIN EN 81346-2 	<p>Q</p> <p>Q</p>

Ambient conditions	
Ambient temperature	
<ul style="list-style-type: none"> • during operation • during storage • during transport 	<p>-20 ... +60 °C</p> <p>-55 ... +80 °C</p> <p>-55 ... +80 °C</p>

Main circuit	
Number of poles for main current circuit	3
Adjustable pick-up value current of the current-dependent overload release	0.1 ... 0.4 A
Formula for making capacity limit current	120 x I _e
Formula for interruption capacity limit current	100 x I _e
Mechanical power output for 4-pole AC motor	
<ul style="list-style-type: none"> • at 400 V rated value • at 500 V rated value • at 690 V rated value 	<p>0.09 kW</p> <p>0.12 kW</p> <p>0.18 kW</p>
Operating voltage	
<ul style="list-style-type: none"> • at AC-3 rated value maximum 	690 V
Operating current	
<ul style="list-style-type: none"> • at AC at 400 V rated value • at AC-43 <ul style="list-style-type: none"> — at 400 V rated value — at 500 V rated value — at 690 V rated value 	<p>0.4 A</p> <p>0.3 A</p> <p>0.32 A</p> <p>0.35 A</p>
No-load switching frequency	3 600 1/h
Operating frequency	
<ul style="list-style-type: none"> • at AC-41 acc. to IEC 60947-6-2 maximum • at AC-43 acc. to IEC 60947-6-2 maximum 	<p>750 1/h</p> <p>250 1/h</p>

Control circuit/ Control	
Type of voltage	DC
Holding power	
<ul style="list-style-type: none"> • at DC maximum 	2.9 W

Auxiliary circuit	
Number of NC contacts	

<ul style="list-style-type: none"> • for auxiliary contacts 	0
Number of NO contacts	
<ul style="list-style-type: none"> • for auxiliary contacts 	0
<ul style="list-style-type: none"> • of instantaneous short-circuit trip unit for signaling contact 	0
Number of CO contacts	
<ul style="list-style-type: none"> • of the current-dependent overload release for signaling contact 	0
Operating current of auxiliary contacts at AC-12 maximum	10 A
Operating current of auxiliary contacts at DC-13	
<ul style="list-style-type: none"> • at 250 V 	0.27 A

Protective and monitoring functions

Trip class	CLASS 10 and 20 adjustable
Off-delay time	50 ms
Operational short-circuit current breaking capacity (Ics)	
<ul style="list-style-type: none"> • at 400 V 	53 kA
<ul style="list-style-type: none"> • at 500 V rated value 	3 kA
<ul style="list-style-type: none"> • at 690 V rated value 	3 kA

UL/CSA ratings

Full-load current (FLA) for three-phase AC motor	
<ul style="list-style-type: none"> • at 480 V rated value 	0.4 A
<ul style="list-style-type: none"> • at 600 V rated value 	0.4 A

Short-circuit protection

Product function Short circuit protection	Yes
Design of the fuse link	
<ul style="list-style-type: none"> • for short-circuit protection of the auxiliary switch required 	fuse gL/gG: 10 A

Installation/ mounting/ dimensions

Mounting position	any
<ul style="list-style-type: none"> • recommended 	vertical, on horizontal standard mounting rail
Mounting type	screw and snap-on mounting
Height	191 mm
Width	45 mm
Depth	165 mm

Connections/Terminals

Product function	
<ul style="list-style-type: none"> • removable terminal for main circuit 	Yes
<ul style="list-style-type: none"> • removable terminal for auxiliary and control circuit 	Yes

Type of electrical connection	
<ul style="list-style-type: none"> • for main current circuit • for auxiliary and control current circuit 	<p>spring-loaded terminals</p> <p>spring-loaded terminals</p>
Type of connectable conductor cross-sections	
<ul style="list-style-type: none"> • for main contacts <ul style="list-style-type: none"> — solid — finely stranded with core end processing — finely stranded without core end processing • at AWG conductors for main contacts 	<p>2x (1.5 ... 6 mm²), 1x 10 mm²</p> <p>2x (1.5 ... 6 mm²)</p> <p>2x (1.5 ... 6 mm²)</p> <p>2x (16 ... 10), 1x 8</p>
Type of connectable conductor cross-sections	
<ul style="list-style-type: none"> • for auxiliary contacts <ul style="list-style-type: none"> — solid — finely stranded with core end processing — finely stranded without core end processing • at AWG conductors for auxiliary contacts 	<p>2x (0.25 ... 1.5 mm²)</p> <p>2x (0.25 ... 1.5 mm²)</p> <p>2x (0.25 ... 1.5 mm²)</p> <p>2x (24 ... 16)</p>

Safety related data

B10 value	
<ul style="list-style-type: none"> • with high demand rate acc. to SN 31920 	3 000 000
Proportion of dangerous failures	
<ul style="list-style-type: none"> • with high demand rate acc. to SN 31920 	50 %

Communication/ Protocol

Product function Bus communication	Yes
Protocol is supported	
<ul style="list-style-type: none"> • IO-Link protocol 	Yes
IO-Link transfer rate	COM2 (38,4 kBaud)
Point-to-point cycle time between master and IO-Link device minimum	2.5 ms
Type of voltage supply via input/output link master	No
Amount of data	
<ul style="list-style-type: none"> • of the address area of the inputs with cyclical transfer total • of the address area of the outputs with cyclical transfer total 	<p>2 byte</p> <p>2 byte</p>

Electromagnetic compatibility

Field-bound parasitic coupling acc. to IEC 61000-4-3	80 ... 3000 MHz at 10V/m
Electrostatic discharge acc. to IEC 61000-4-2	8 kV
Conducted HF-interference emissions acc. to CISPR11	150 kHz ... 30 MHz Class A
Field-bound HF-interference emission acc. to CISPR11	30 ... 1000 MHz Class A

Supply voltage

Supply voltage required Auxiliary voltage Yes

Display

Display version

- as status display of the input/output link device green/red dual LED

Certificates/approvals

General Product Approval	EMC	Functional Safety/Safety of Machinery
--------------------------	-----	---------------------------------------



CCC



CSA



UL



C-Tick



VDE

Declaration of Conformity	Test Certificates	Marine / Shipping
---------------------------	-------------------	-------------------



EG-Konf.

[Type Test Certificates/Test Report](#)



BUREAU VERITAS



LRS



PRS



RINA

Marine / Shipping	other
-------------------	-------



RMRS

[Environmental Confirmations](#)

[Confirmation](#)

Further information

Information- and Downloadcenter (Catalogs, Brochures,...)

<http://www.siemens.com/industrial-controls/catalogs>

Industry Mall (Online ordering system)

<https://mall.industry.siemens.com/mall/en/en/Catalog/product?mlfb=3RA6400-2AB42>

Cax online generator

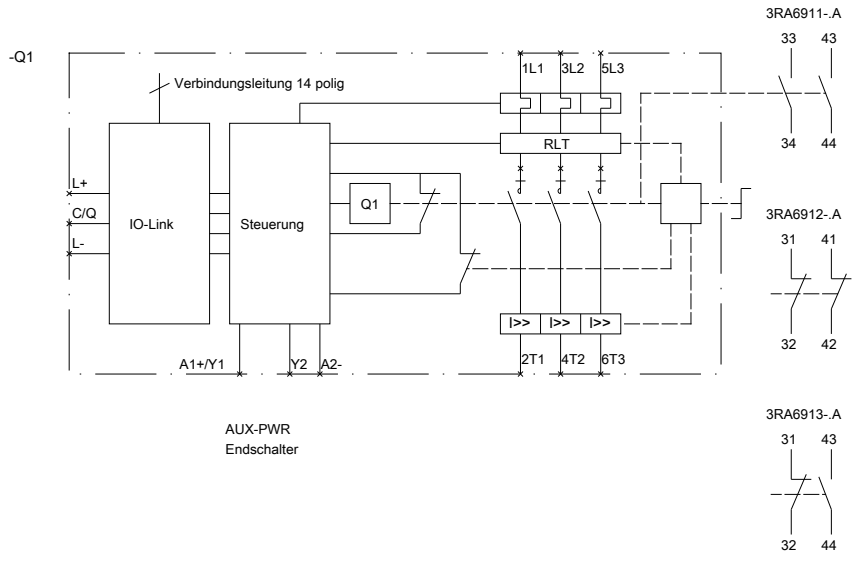
<http://support.automation.siemens.com/WW/CAXorder/default.aspx?lang=en&mlfb=3RA6400-2AB42>

Service&Support (Manuals, Certificates, Characteristics, FAQs,...)

<https://support.industry.siemens.com/cs/ww/en/ps/3RA6400-2AB42>

Image database (product images, 2D dimension drawings, 3D models, device circuit diagrams, EPLAN macros, ...)

http://www.automation.siemens.com/bilddb/cax_de.aspx?mlfb=3RA6400-2AB42&lang=en



\f@Arial Unicode MS|b0|i0|c0|p34;3RA64XX-XXXXX_01_4
 \f@Arial Unicode MS|b0|i0|c0|p34;Siemens
 \f@Arial Unicode MS|b0|i0|c0|p34;Format / Size: Hybrid Quer

last modified:

07/14/2017