

LOAD FEEDER FUSELESS DIRECT START, AC 400V, SZ S0, 16...22A, AC 230V SPRING-LOADED CONNECTION FOR RAIL-MOUNTING, TYPE OF COORDINATION 2, IQ = 150KA (ALSO FULFILLS TYPE OF COORDINATION 1) 1NO+1NC (CONTACTOR)



<b>Product brand name</b>	SIRIUS
<b>Product designation</b>	Direct (on-line) starter
<b>Design of the product</b>	for standard rail or screw mounting
<b>Product type designation</b>	3RA21
<b>Manufacturer's article number</b>	
<ul style="list-style-type: none"> <li>• of the supplied contactor</li> <li>• of the supplied circuit-breakers</li> <li>• of the supplied link module</li> </ul>	<a href="#">3RT2027-2AP00</a> <a href="#">3RV2021-4CA20</a> <a href="#">3RA2921-2AA00</a>

General technical data	
<b>Size of the circuit-breaker</b>	S0
<b>Size of load feeder</b>	S0
<b>Insulation voltage</b>	
<ul style="list-style-type: none"> <li>• with degree of pollution 3 rated value</li> </ul>	690 V
<b>Surge voltage resistance rated value</b>	6 kV
<b>Protection class IP</b>	
<ul style="list-style-type: none"> <li>• on the front</li> </ul>	IP20
<b>Type of assignment</b>	2
<b>Protection against electrical shock</b>	finger-safe

Ambient conditions	
<b>Ambient temperature</b>	
• during operation	-20 ... +60 °C
• during storage	-50 ... +80 °C
• during transport	-50 ... +80 °C
<b>Temperature compensation</b>	-20 ... +60 °C
Main circuit	
<b>Number of poles for main current circuit</b>	3
<b>Adjustable pick-up value current of the current-dependent overload release</b>	17 ... 22 A
<b>Operating voltage</b>	
• rated value	690 V
• at AC-3 rated value maximum	690 V
<b>Operating frequency rated value</b>	50 ... 60 Hz
<b>Operating current</b>	
• at AC-3	
— at 400 V rated value	22 A
<b>Operating power</b>	
• at AC-3	
— at 400 V rated value	11 000 W
Control circuit/ Control	
<b>Control supply voltage at AC</b>	
• at 50 Hz rated value	230 V
<b>Apparent holding power of magnet coil at AC</b>	9.8 V·A
Auxiliary circuit	
<b>Product extension Auxiliary switch</b>	Yes
Protective and monitoring functions	
<b>Trip class</b>	CLASS 10
<b>Design of the overload release</b>	thermal (bimetallic)
Short-circuit protection	
<b>Product function Short circuit protection</b>	Yes
<b>Design of the short-circuit trip</b>	magnetic
<b>Conditional short-circuit current (I<sub>q</sub>)</b>	
• at 400 V acc. to IEC 60947-4-1 rated value	153 000 A
Installation/ mounting/ dimensions	
<b>Mounting position</b>	vertical
<b>Mounting type</b>	screw and snap-on mounting onto 35 mm standard mounting rail
<b>Height</b>	242.6 mm
<b>Width</b>	45 mm
<b>Depth</b>	106.9 mm

### Required spacing

- for grounded parts
  - forwards 20 mm
  - Backwards 0 mm
  - upwards 50 mm
  - at the side 20 mm
  - downwards 10 mm
- for live parts
  - forwards 20 mm
  - Backwards 0 mm
  - upwards 50 mm
  - downwards 10 mm
  - at the side 20 mm

### Connections/Terminals

#### Type of electrical connection

- for main current circuit spring-loaded terminals

### Safety related data

#### B10 value

- with high demand rate acc. to SN 31920 1 000 000

#### Proportion of dangerous failures

- with high demand rate acc. to SN 31920 73 %

### Certificates/approvals

#### General Product Approval

#### For use in hazardous locations

#### Declaration of Conformity



#### Test Certificates

#### Marine / Shipping

[Type Test Certificates/Test Report](#)

[Special Test Certificate](#)



#### Marine / Shipping

#### other

#### Railway



[Environmental Confirmations](#)

[Confirmation](#)

[Vibration and Shock](#)

## Further information

### Information- and Downloadcenter (Catalogs, Brochures,...)

<http://www.siemens.com/industrial-controls/catalogs>

### Industry Mall (Online ordering system)

<https://mall.industry.siemens.com/mall/en/en/Catalog/product?mfb=3RA2120-4CE27-0AP0>

### Cax online generator

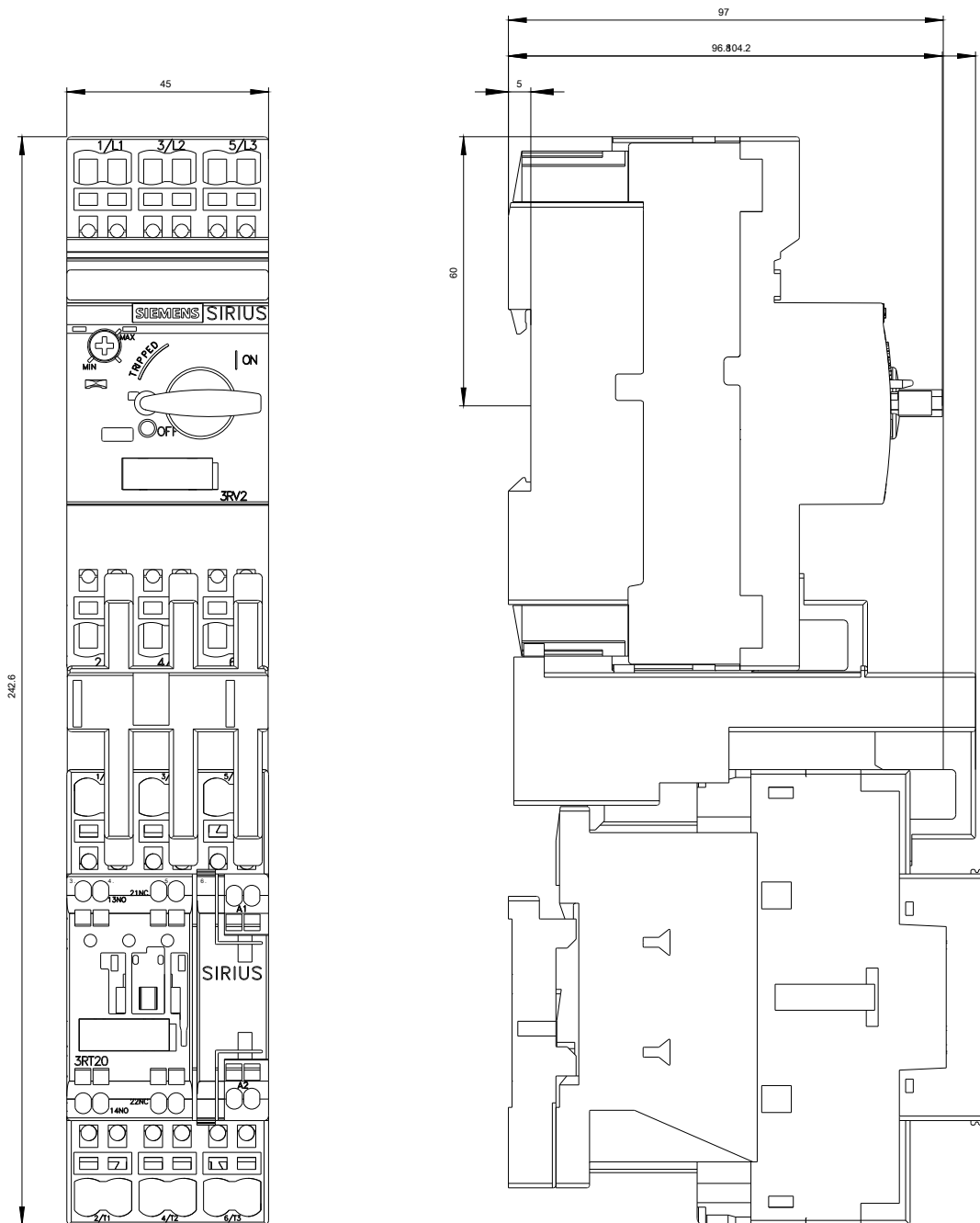
<http://support.automation.siemens.com/WW/CAXorder/default.aspx?lang=en&mfb=3RA2120-4CE27-0AP0>

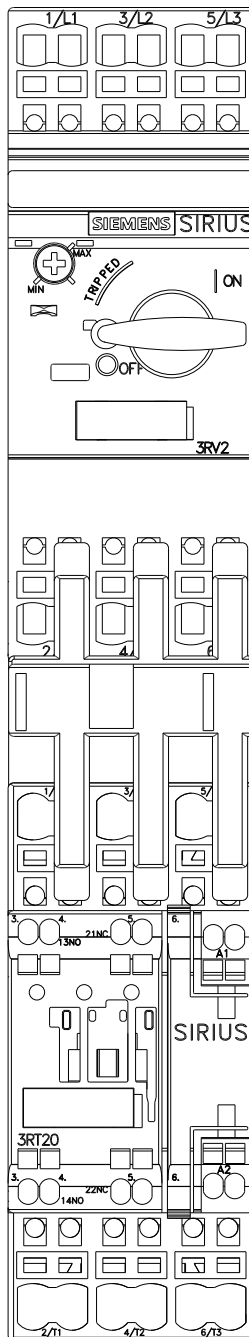
### Service&Support (Manuals, Certificates, Characteristics, FAQs,...)

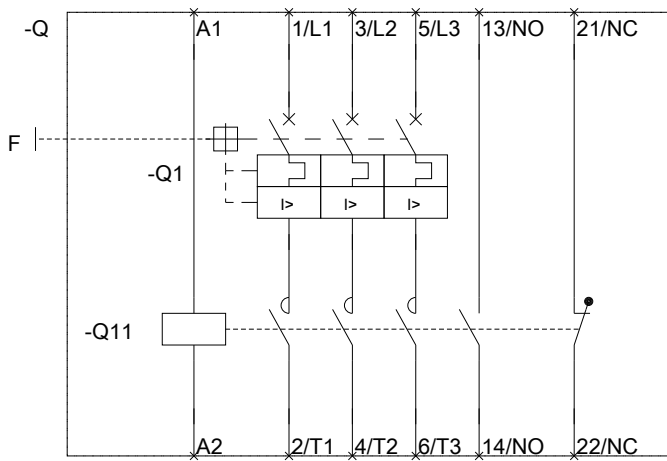
<https://support.industry.siemens.com/cs/ww/en/ps/3RA2120-4CE27-0AP0>

### Image database (product images, 2D dimension drawings, 3D models, device circuit diagrams, EPLAN macros, ...)

[http://www.automation.siemens.com/bilddb/cax\\_de.aspx?mfb=3RA2120-4CE27-0AP0&lang=en](http://www.automation.siemens.com/bilddb/cax_de.aspx?mfb=3RA2120-4CE27-0AP0&lang=en)







last modified:

07/14/2017