

LOAD FEEDER FUSELESS DIRECT START, AC 400V, SZ S0, 10...16A, DC 24V SCREW CONNECTION FOR RAIL-MOUNTING, TYPE OF COORDINATION 2, IQ = 150KA (ALSO FULFILLS TYPE OF COORDINATION 1) 1NO+1NC (CONTACTOR)



| | |
|--|---|
| Product brand name | SIRIUS |
| Product designation | Direct (on-line) starter |
| Design of the product | for standard rail or screw mounting |
| Product type designation | 3RA21 |
| Manufacturer's article number | |
| <ul style="list-style-type: none"> • of the supplied contactor • of the supplied circuit-breakers • of the supplied link module | 3RT2026-1BB40 3RV2021-4AA10 3RA2921-1BA00 |

| General technical data | |
|--|------------|
| Size of the circuit-breaker | S0 |
| Size of load feeder | S0 |
| Insulation voltage | |
| <ul style="list-style-type: none"> • with degree of pollution 3 rated value | 690 V |
| Surge voltage resistance rated value | 6 kV |
| Protection class IP | |
| <ul style="list-style-type: none"> • on the front | IP20 |
| Mechanical service life (switching cycles) | |
| <ul style="list-style-type: none"> • of contactor typical | 10 000 000 |
| Type of assignment | 2 |

| | |
|---|----------------------|
| Protection against electrical shock | finger-safe |
| Ambient conditions | |
| Ambient temperature | |
| • during operation | -20 ... +60 °C |
| • during storage | -50 ... +80 °C |
| • during transport | -50 ... +80 °C |
| Temperature compensation | -20 ... +60 °C |
| Main circuit | |
| Number of poles for main current circuit | 3 |
| Design of the switching contact | electromechanical |
| Adjustable pick-up value current of the current-dependent overload release | 11 ... 16 A |
| Operating voltage | |
| • rated value | 690 V |
| • at AC-3 rated value maximum | 690 V |
| Operating frequency rated value | 50 ... 60 Hz |
| Operating current | |
| • at AC-3 | |
| — at 400 V rated value | 15.5 A |
| Operating power | |
| • at AC-3 | |
| — at 400 V rated value | 7 500 W |
| Control circuit/ Control | |
| Control supply voltage at DC | |
| • rated value | 24 V |
| Holding power of magnet coil at DC | 5.9 W |
| Auxiliary circuit | |
| Product extension Auxiliary switch | Yes |
| Protective and monitoring functions | |
| Trip class | CLASS 10 |
| Design of the overload release | thermal (bimetallic) |
| UL/CSA ratings | |
| Full-load current (FLA) for three-phase AC motor | |
| • at 480 V rated value | 14 A |
| Yielded mechanical performance [hp] | |
| • for single-phase AC motor | |
| — at 110/120 V rated value | 1 hp |
| — at 230 V rated value | 2 hp |
| • for three-phase AC motor | |
| — at 220/230 V rated value | 5 hp |

| | |
|----------------------------|-------|
| — at 460/480 V rated value | 10 hp |
| — at 575/600 V rated value | 10 hp |

Short-circuit protection

| | |
|--|-----------|
| Product function Short circuit protection | Yes |
| Design of the short-circuit trip | magnetic |
| Conditional short-circuit current (I_q) | |
| • at 400 V acc. to IEC 60947-4-1 rated value | 153 000 A |

Installation/ mounting/ dimensions

| | |
|--------------------------|--|
| Mounting position | vertical |
| Mounting type | screw and snap-on mounting onto 35 mm standard mounting rail |
| Height | 193.1 mm |
| Width | 45 mm |
| Depth | 107 mm |
| Required spacing | |
| • for grounded parts | |
| — forwards | 20 mm |
| — Backwards | 0 mm |
| — upwards | 50 mm |
| — at the side | 20 mm |
| — downwards | 10 mm |
| • for live parts | |
| — forwards | 20 mm |
| — Backwards | 0 mm |
| — upwards | 50 mm |
| — downwards | 10 mm |
| — at the side | 20 mm |

Connections/Terminals

| | |
|--|--|
| Type of electrical connection | |
| • for main current circuit | screw-type terminals |
| Type of connectable conductor cross-sections | |
| • for main contacts | |
| — stranded | 1 ... 10 mm ² , 2x (2.5 ... 6 mm ²) |
| • at AWG conductors for main contacts | 2x (16 ... 12), 2x (14 ... 8) |
| Connectable conductor cross-section for main contacts | |
| • finely stranded with core end processing | 1 ... 6 mm ² |

Safety related data

| | |
|--|-----------|
| B10 value | |
| • with high demand rate acc. to SN 31920 | 1 000 000 |
| Proportion of dangerous failures | |
| • with high demand rate acc. to SN 31920 | 73 % |

Certificates/approvals

| | | |
|--------------------------|--------------------------------|---------------------------|
| General Product Approval | For use in hazardous locations | Declaration of Conformity |
|--------------------------|--------------------------------|---------------------------|



CSA

UL

ATEX

IECEX

EG-Konf.

| | |
|-------------------|-------------------|
| Test Certificates | Marine / Shipping |
|-------------------|-------------------|

[Type Test Certificates/Test Report](#)

[Special Test Certificate](#)



ABS



BUREAU VERITAS



LRS



PRS

| | | |
|-------------------|-------|---------|
| Marine / Shipping | other | Railway |
|-------------------|-------|---------|



RINA



RMRS



DNV-GL

[Environmental Confirmations](#)

[Confirmation](#)

[Vibration and Shock](#)

Further information

Information- and Downloadcenter (Catalogs, Brochures,...)

<http://www.siemens.com/industrial-controls/catalogs>

Industry Mall (Online ordering system)

<https://mall.industry.siemens.com/mall/en/en/Catalog/product?mlfb=3RA2120-4AA26-0BB4>

Cax online generator

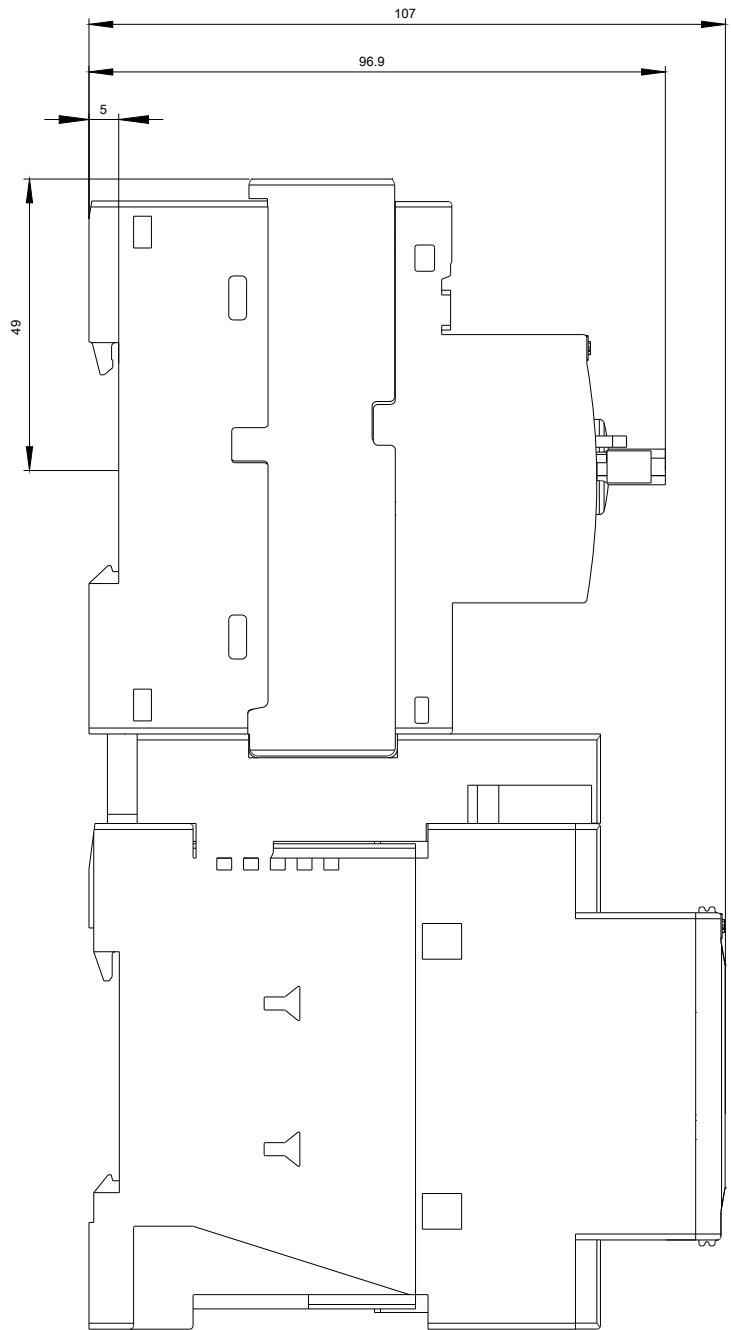
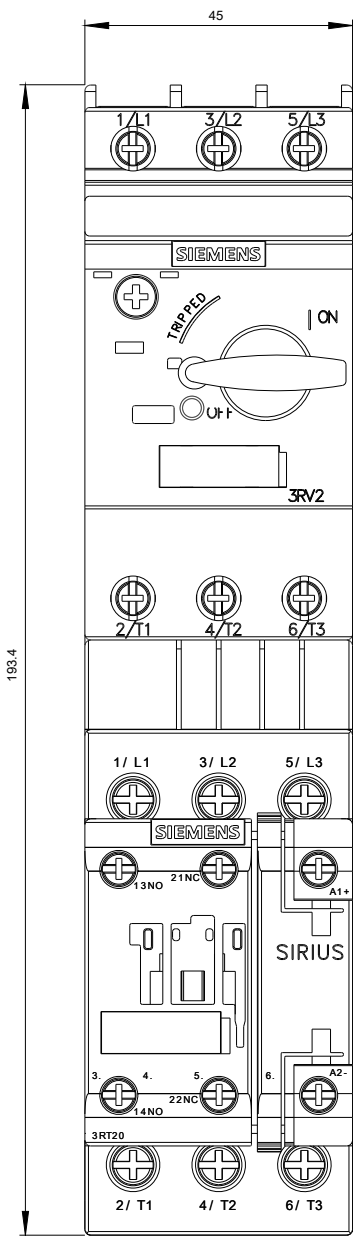
<http://support.automation.siemens.com/WW/CAXorder/default.aspx?lang=en&mlfb=3RA2120-4AA26-0BB4>

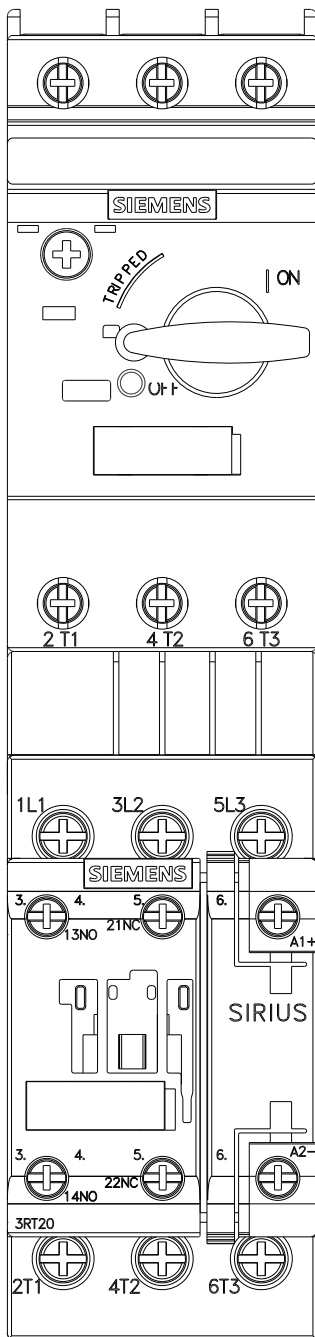
Service&Support (Manuals, Certificates, Characteristics, FAQs,...)

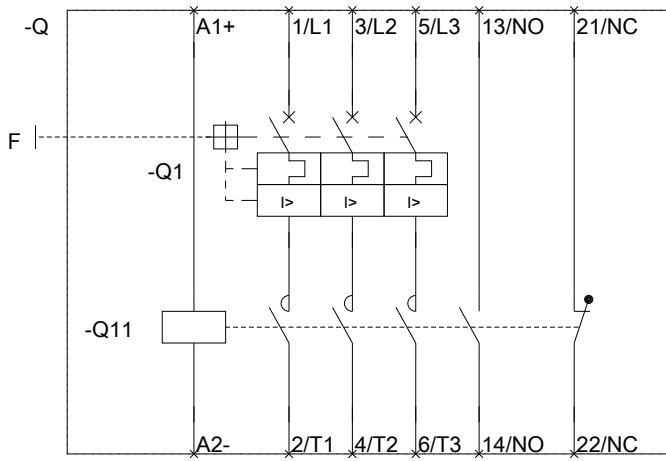
<https://support.industry.siemens.com/cs/ww/en/ps/3RA2120-4AA26-0BB4>

Image database (product images, 2D dimension drawings, 3D models, device circuit diagrams, EPLAN macros, ...)

http://www.automation.siemens.com/bilddb/cax_de.aspx?mlfb=3RA2120-4AA26-0BB4&lang=en







last modified:

07/14/2017