

LOAD FEEDER FUSELESS DIRECT START, AC 400V, SZ S00
0.35...0.5A, DC 24V SCREW CONNECTION FOR RAIL-
MOUNTING, TYPE OF COORDINATION 2, IQ = 150KA (ALSO
FULFILLS TYPE OF COORDINATION 1) 1NO (CONTACTOR)



| | |
|--|---|
| Product brand name | SIRIUS |
| Product designation | Direct (on-line) starter |
| Design of the product | for standard rail or screw mounting |
| Product type designation | 3RA21 |
| Manufacturer's article number | |
| <ul style="list-style-type: none"> • of the supplied contactor • of the supplied circuit-breakers • of the supplied link module | 3RT2015-1BB41 3RV2011-0FA10 3RA1921-1DA00 |

| General technical data | |
|--|------------|
| Size of the circuit-breaker | S00 |
| Size of load feeder | S00 |
| Insulation voltage | |
| <ul style="list-style-type: none"> • with degree of pollution 3 rated value | 690 V |
| Surge voltage resistance rated value | 6 kV |
| Protection class IP | |
| <ul style="list-style-type: none"> • on the front | IP20 |
| Mechanical service life (switching cycles) | |
| <ul style="list-style-type: none"> • of contactor typical | 30 000 000 |
| Type of assignment | 2 |

| | |
|---|----------------------|
| Protection against electrical shock | finger-safe |
| Ambient conditions | |
| Ambient temperature | |
| • during operation | -20 ... +60 °C |
| • during storage | -50 ... +80 °C |
| • during transport | -50 ... +80 °C |
| Temperature compensation | -20 ... +60 °C |
| Main circuit | |
| Number of poles for main current circuit | 3 |
| Design of the switching contact | electromechanical |
| Adjustable pick-up value current of the current-dependent overload release | 0.35 ... 0.5 A |
| Operating voltage | |
| • rated value | 690 V |
| • at AC-3 rated value maximum | 690 V |
| Operating frequency rated value | 50 ... 60 Hz |
| Operating current | |
| • at AC-3 | |
| — at 400 V rated value | 0.4 A |
| Operating power | |
| • at AC-3 | |
| — at 400 V rated value | 120 W |
| Control circuit/ Control | |
| Control supply voltage at DC | |
| • rated value | 24 V |
| Holding power of magnet coil at DC | 4 W |
| Auxiliary circuit | |
| Product extension Auxiliary switch | Yes |
| Protective and monitoring functions | |
| Trip class | CLASS 10 |
| Design of the overload release | thermal (bimetallic) |
| UL/CSA ratings | |
| Full-load current (FLA) for three-phase AC motor | |
| • at 480 V rated value | 0.5 A |
| Short-circuit protection | |
| Product function Short circuit protection | Yes |
| Design of the short-circuit trip | magnetic |
| Conditional short-circuit current (I_q) | |
| • at 400 V acc. to IEC 60947-4-1 rated value | 153 000 A |

| Installation/ mounting/ dimensions | |
|--|--|
| Mounting position | vertical |
| Mounting type | screw and snap-on mounting onto 35 mm standard mounting rail |
| Height | 167.2 mm |
| Width | 45 mm |
| Depth | 97.1 mm |
| Required spacing | |
| <ul style="list-style-type: none"> • for grounded parts <ul style="list-style-type: none"> — forwards 20 mm — Backwards 0 mm — upwards 50 mm — at the side 20 mm — downwards 10 mm • for live parts <ul style="list-style-type: none"> — forwards 20 mm — Backwards 0 mm — upwards 50 mm — downwards 10 mm — at the side 20 mm | |
| Connections/Terminals | |
| Type of electrical connection | |
| <ul style="list-style-type: none"> • for main current circuit | screw-type terminals |
| Type of connectable conductor cross-sections | |
| <ul style="list-style-type: none"> • for main contacts <ul style="list-style-type: none"> — stranded 0.5 ... 4 mm², 2x (0.75 ... 2.5 mm²) • at AWG conductors for main contacts 2x (20 ... 16), only for contactor 2x (18 ... 14), 2x 12 | |
| Connectable conductor cross-section for main contacts | |
| <ul style="list-style-type: none"> • finely stranded with core end processing 0.5 ... 2.5 mm² | |
| Safety related data | |
| B10 value | |
| <ul style="list-style-type: none"> • with high demand rate acc. to SN 31920 1 000 000 | |
| Proportion of dangerous failures | |
| <ul style="list-style-type: none"> • with high demand rate acc. to SN 31920 73 % | |
| Certificates/approvals | |

| | | |
|--------------------------|--------------------------------|---------------------------|
| General Product Approval | For use in hazardous locations | Declaration of Conformity |
|--------------------------|--------------------------------|---------------------------|



| | |
|-------------------|-------------------|
| Test Certificates | Marine / Shipping |
|-------------------|-------------------|

[Type Test Certificates/Test Report](#)

[Special Test Certificate](#)



| | | |
|-------------------|-------|---------|
| Marine / Shipping | other | Railway |
|-------------------|-------|---------|



[Environmental Confirmations](#)

[Confirmation](#)

[Vibration and Shock](#)

Further information

Information- and Downloadcenter (Catalogs, Brochures,...)

<http://www.siemens.com/industrial-controls/catalogs>

Industry Mall (Online ordering system)

<https://mall.industry.siemens.com/mall/en/en/Catalog/product?mlfb=3RA2110-0FA15-1BB4>

Cax online generator

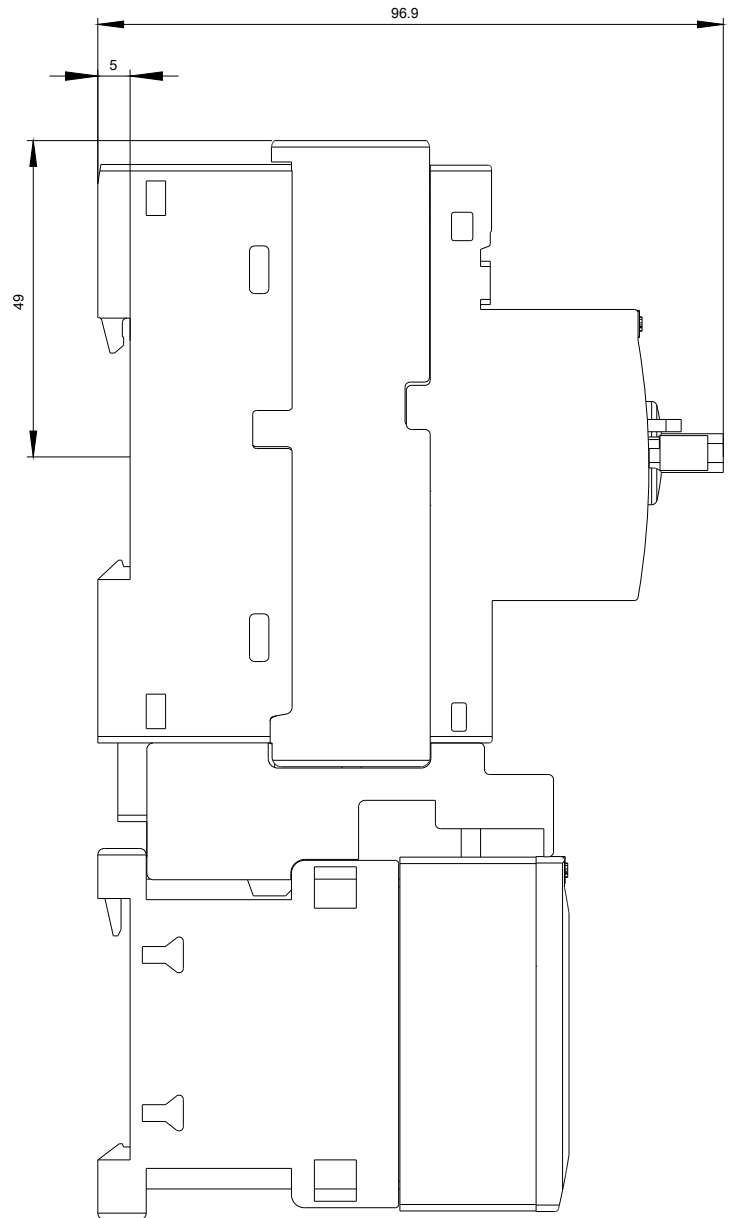
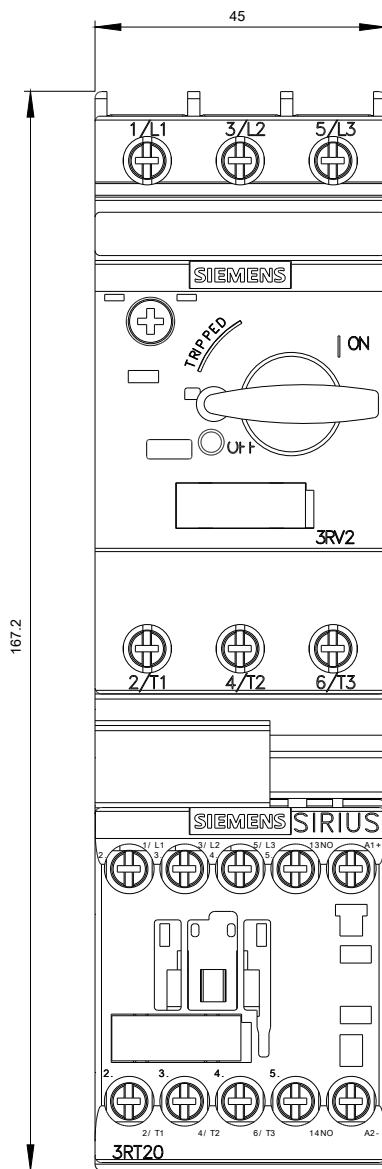
<http://support.automation.siemens.com/WW/CAXorder/default.aspx?lang=en&mlfb=3RA2110-0FA15-1BB4>

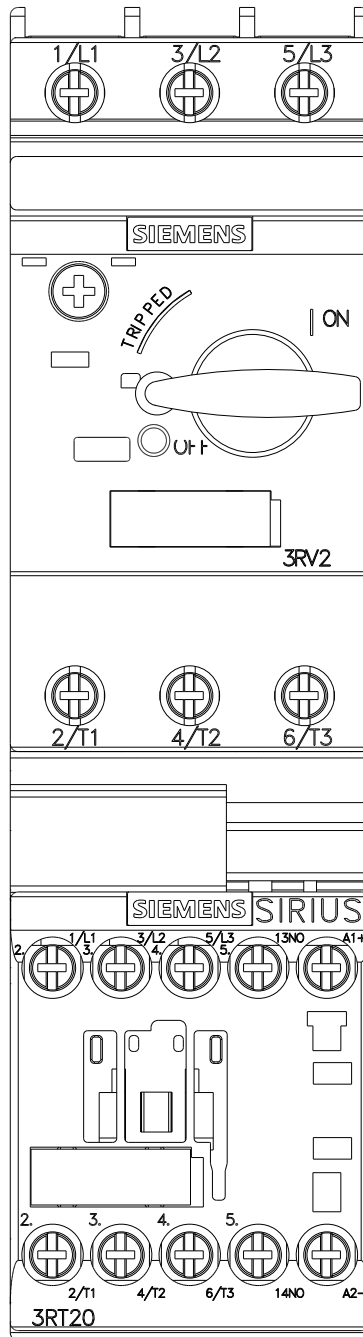
Service&Support (Manuals, Certificates, Characteristics, FAQs,...)

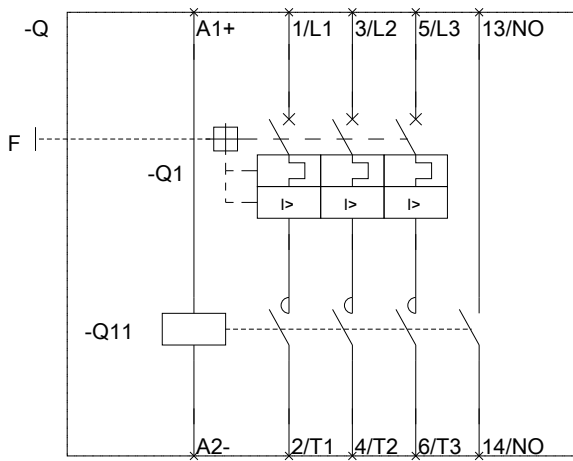
<https://support.industry.siemens.com/cs/ww/en/ps/3RA2110-0FA15-1BB4>

Image database (product images, 2D dimension drawings, 3D models, device circuit diagrams, EPLAN macros, ...)

http://www.automation.siemens.com/bilddb/cax_de.aspx?mlfb=3RA2110-0FA15-1BB4&lang=en







last modified:

07/14/2017