

ACCESSORIES FOR FUSE SWITCH DISCONNECTORS  
3NP50 MOULDED-PLASTIC MASKING FRAME 265 X  
135MM

Similar to image

**Technical data:**

<b>Design type</b>		-
<b>Type, explanations</b>		-
<b>Type, explanations additionally</b>		-
<b>Accessories</b>		Masking frame

**Certificates/approvals:**

**General Product Approval**    other



[Declaration of Conformity](#)

**Further information:**

**Information- and Downloadcenter (Catalogs, Brochures,...)**

<http://www.siemens.com/lowvoltage/catalogs>

**Industry Mall (Online ordering system)**

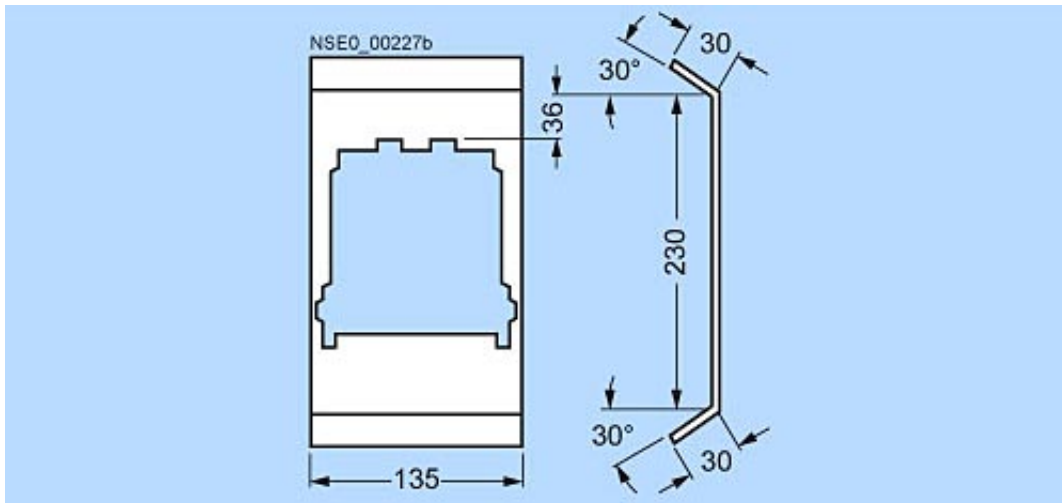
<http://www.siemens.com/lowvoltage/mall>

**Service&Support (Manuals, Certificates, Characteristics, FAQs,...)**

<http://support.automation.siemens.com/WWW/view/en/3NY1107/all>

**Image database (product images, 2D dimension drawings, 3D models, device circuit diagrams, ...)**

[http://www.automation.siemens.com/bilddb/cax\\_en.aspx?mlfb=3NY1107](http://www.automation.siemens.com/bilddb/cax_en.aspx?mlfb=3NY1107)



last change:

Mar 4, 2013