



LV HRC FUSE LINK GL/GG WITH NON-INSULATED GRIP LUGS WITH COMBINATION INDICATOR SIZE 1, 200A, AC 500V/DC 440V

Similar to image

**Technical data:**

<b>Current / for AC / rated value</b>	A	200
<b>Operating class of the fuse link</b>		gG
<b>Size of the fallback-system / acc. to DIN EN 60269-1</b>		NH1
<b>Supply voltage</b>		
• for AC / rated value	V	500
• for DC	V	440
<b>Switching capacity current</b>		
• in accordance with IEC 60947-2 / rated value	kA	120
• with DC / in accordance with IEC 60947-2 / rated value	kA	25
<b>Design of an identification indicator</b>		Combination alarms
<b>type of the assembly</b>		Non-insulated grip lugs
<b>Protection class IP</b>		IP20, with connected conductors
<b>Climatic class</b>		-20 to +50 at 95% relative humidity
<b>Ambient temperature</b>		
• minimum	°C	-5
• maximum	°C	40
<b>Product description</b>		Using screw adapter or adapter sleeves

**Certificates/approvals:**

**General Product Approval**

CSA



GOST



KEMA



VDE

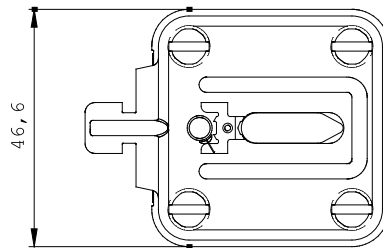
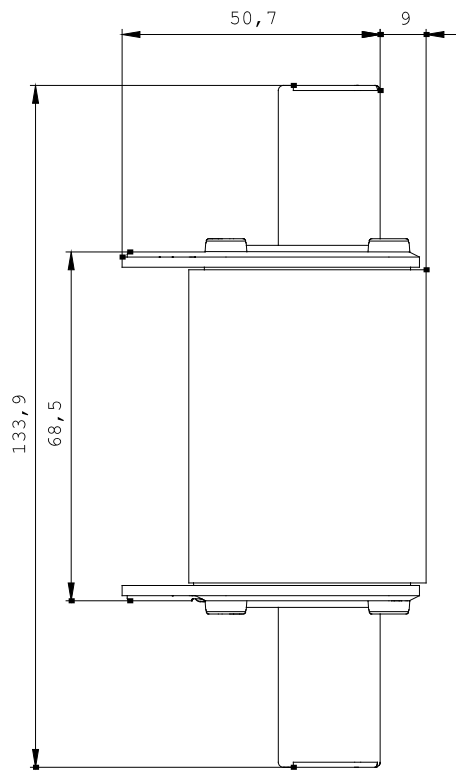
**Declaration of Conformity**

EG-Konf.

**Test Certificates**[Special Test Certificate](#)[Type Test Certificates/Test Report](#)**Shipping Approval**

GL

**Further information:****Information- and Downloadcenter (Catalogs, Brochures,...)**<http://www.siemens.com/lowvoltage/catalogs>**Industry Mall (Online ordering system)**<http://www.siemens.com/lowvoltage/mall>**Service&Support (Manuals, Certificates, Characteristics, FAQs,...)**<http://support.automation.siemens.com/WW/view/en/3NA7140/all>**Image database (product images, 2D dimension drawings, 3D models, device circuit diagrams, ...)**[http://www.automation.siemens.com/bilddb/cax\\_en.aspx?mlfb=3NA7140](http://www.automation.siemens.com/bilddb/cax_en.aspx?mlfb=3NA7140)**CAX-Online-Generator**<http://www.siemens.com/cax>**Tender specifications**[Datanorm](#) [GAEB81](#) [GAEB83](#) [RTF](#) [TXT](#)



last change:

Mar 18, 2013