







LV HRC FUSE LINK GL/GG WITH NON-INSULATED GRIP LUGS WITH FRONT INDICATOR SIZE 2, 355A, AC 500V/DC 440V

Similar to image

Technical data:

Current / for AC / rated value	A	355
Operating class of the fuse link		gG
Size of the fallback-system / acc. to DIN EN 60269-1		NH2
Supply voltage		
• for AC / rated value	V	500
• for DC	V	440
Switching capacity current		
• in accordance with IEC 60947-2 / rated value	kA	120
• with DC / in accordance with IEC 60947-2 / rated value	kA	25
Design of an identification indicator		Front indicators
type of the assembly		Non-insulated grip lugs
Protection class IP		IP20, with connected conductors
Climatic class		-20 to +50 at 95% relative humidity
Ambient temperature		
• minimum	°C	-5
• maximum	°C	40
Product description		Using screw adapter or adapter sleeves

Certificates/approvals:

General Product Approval	Declaration of Conformity	Test Certificates		Shipping Approval	
 GOST	 VDE	 EG-Konf.	Special Test Certificate	Type Test Certificates/Test Report	 GL

other

[Environmental Confirmations](#)

Further information:

Information- and Downloadcenter (Catalogs, Brochures,...)

<http://www.siemens.com/lowvoltage/catalogs>

Industry Mall (Online ordering system)

<http://www.siemens.com/lowvoltage/mall>

Service&Support (Manuals, Certificates, Characteristics, FAQs,...)

<http://support.automation.siemens.com/WW/view/en/3NA3254/all>

Image database (product images, 2D dimension drawings, 3D models, device circuit diagrams, ...)

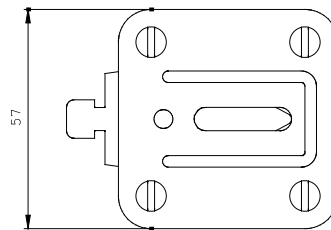
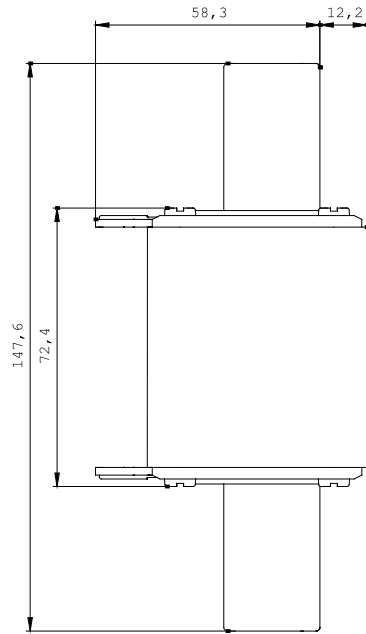
http://www.automation.siemens.com/bilddb/cax_en.aspx?mlfb=3NA3254

CAX-Online-Generator

<http://www.siemens.com/cax>

Tender specifications

[Datanorm GAEB81](#) [GAEB83](#) [RTF](#) [TXT](#)



last change:

Mar 18, 2013