

Sormat Product Confirmation

We, as an ISO certified distributor of the product mentioned, confirm the following.

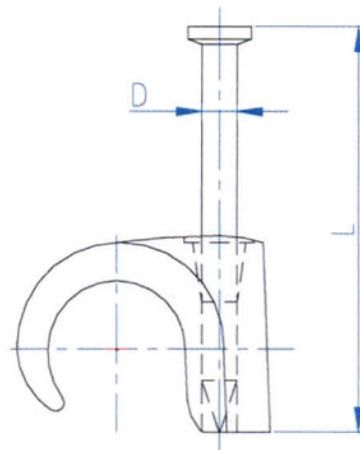
Sormat Cable Clip SC

Range consists of wide range in various dimensions, colours and nails. Intended for the installation of round cables.

General properties:

- made from impact resistance polypropylene (PP)
- temperature range -40 ...+80 °C
- nails hardened steel with electroplated zinc coating (8 µm)

Size	Nail dimensions	
	L (mm)	D (mm)
3-5	20	1,2
4-6	20	1,2
5-7	20	1,2
7-10	25	2,0
7-10 L30	30	2,0
8-12	30	2,0
8-12 L45	45	2,0
10-14	30	2,0
10-14 L45	45	2,0
14-20	35	2,0
14-20 L45	45	2,0
18-22	45	2,5
22-26	45	2,5



In Rusko, Finland
9th of December, 2013

Sormat Technical Team

