

## DALI 1Ch 350/700mA

**Datasheet**  
**Control Gear**



1 Channel CC LED Dimmer

Art. Nr. 89453844-350 (350mA)

Art. Nr. 89453844-700 (700mA)

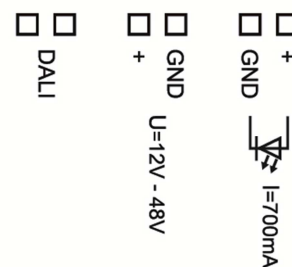
# DALI 1Ch 350/700mA Control Gear

## Overview

- 1 Channel CC LED-Dimmer
- constant output current of 350mA or 700mA, on request with values from 100mA to 1000mA available
- dimming control via DALI or standard switch (SwitchDim-funcion integrated.)
- The output is dimmable from 1% to 100%
- Supply voltage from 12V to 48V DC
- Configuration via DALI-Cockpit software and DALI USB interface

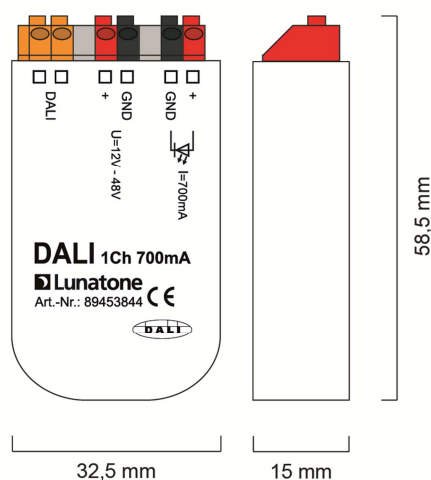
## Specification, Characteristics

type	DALI 1Ch 350mA	DALI 1Ch 700mA
article number	89453844-350	89453844-700
power supply	12VDC-48VDC	
maximum output current	350mA	700mA
control input	DALI	
ambient temperature	-15°C-50°C	
protection class	IP20	
default state after power return	configurable via DALI	
max. connecting wire cross section	2.5 mm <sup>2</sup>	
geometry (L x W x H)	59mmx33mmx15mm	

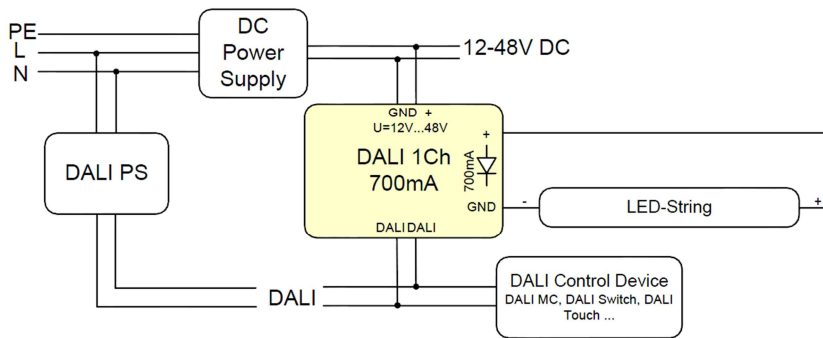


wiring plan

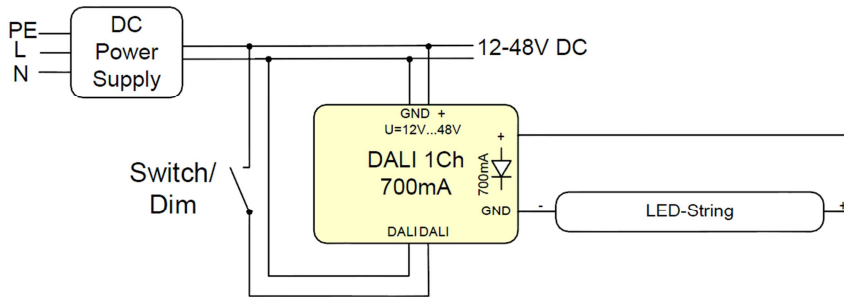
available on request:  
output current in the range from  
100mA to 1000mA



Geometry



**DALI mode:**  
The device switches to the DALI-mode automatically after a DALI message has been detected.



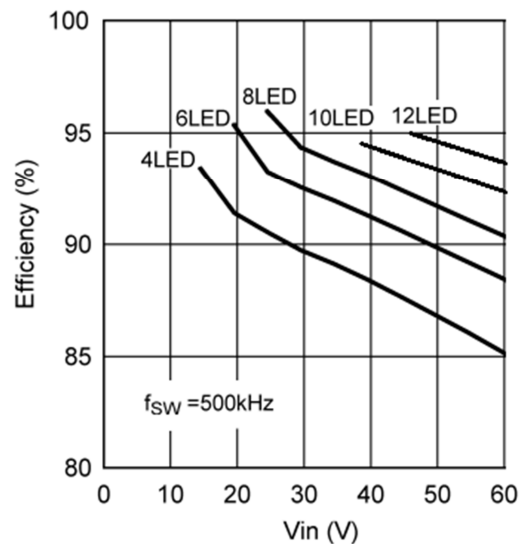
**Switch-Dim:**  
The device is in the Switch-Dim mode after power up.

SwitchDim:  
Button pressed short (<500ms):  
On / Off  
Button pressed long (>500ms): Dim Up / Down



**Hint:**  
For highest efficiency the input voltage should range between 3V and 10V above the LED-voltage:

- 4-6 LEDs: 24V
- 6-9LEDs: 36V
- 10-12 LEDS: 48V



## Purchase Information

article number: 89453844-xxx

xxx = value of constant current in mA:

100mA ... 1000 mA

constant current DALI LED-dimmer

## Additional Information and Equipment

DALI-Cockpit – free configuration tool from  
Lunatone for DALI systems

<http://lunatone.at/de/dali-systeme/software/>

Lunatone DALI products

<http://www.lunatone.at/de/>

Lunatone datasheets and manuals

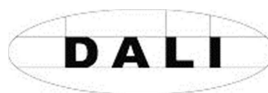
<http://lunatone.at/de/downloads/>

## Contact

Technical Support: [support@lunatone.com](mailto:support@lunatone.com)

Requests: [sales@lunatone.com](mailto:sales@lunatone.com)

[www.lunatone.com](http://www.lunatone.com)



## Disclaimer

Subject to change. Information provided without  
guarantee. The datasheet refers to the current delivery.

The function in installations with other devices must be  
tested for compatibility in advance.