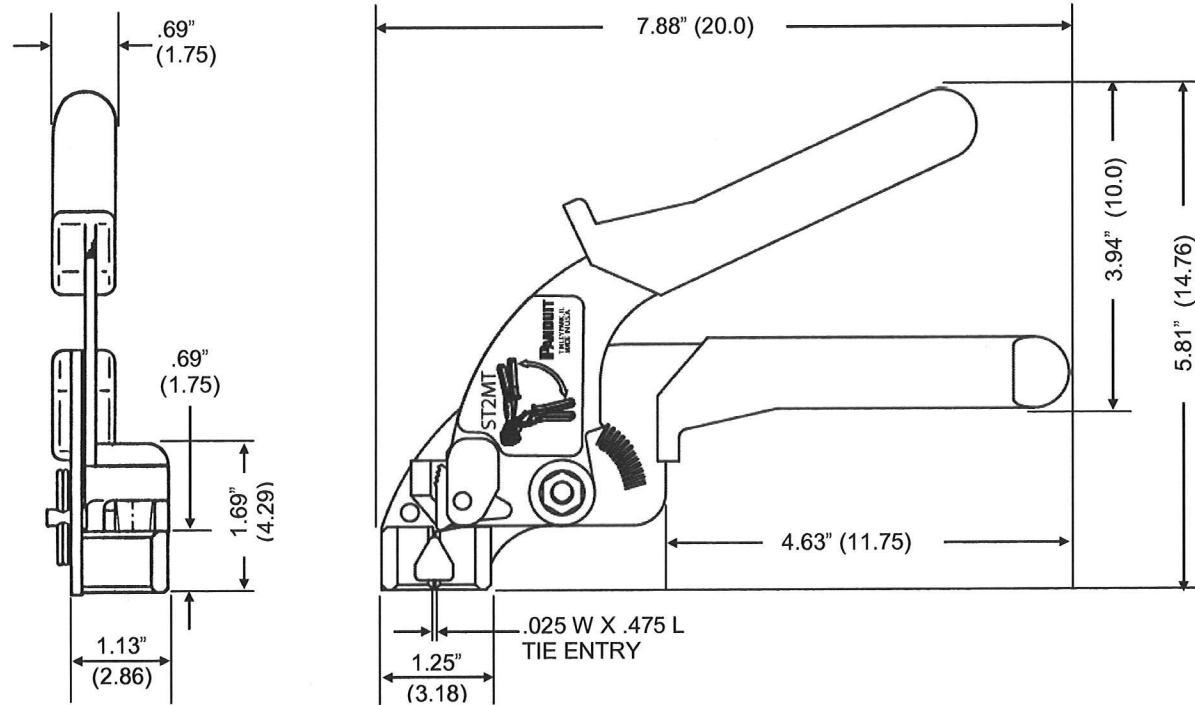


THIS COPY IS PROVIDED ON A RESTRICTED BASIS AND IS NOT TO BE USED IN ANY WAY DETRIMENTAL TO THE INTERESTS OF PANDUIT CORP.



NOTES, UNLESS OTHERWISE SPECIFIED:

PANDUIT TOOL NUMBER ST2MT IS USED TO INSTALL ALL STANDARD, LIGHT-HEAVY, HEAVY AND EXTRA-HEAVY CROSS SECTION PAN-STEEL TYPE MLT TIES, TYPE MLTC COATED TIES AND TYPE MLTDH DOUBLE WRAPPED TIES.

THIS TOOL'S FEATURES INCLUDE:

- Cable tie side entry for immediate positioning of tie and tool
- One hand operation – lightweight
- Installer controlled tension
- Cut-off capability with the twist of the wrist
- Easy removal of excess tie

CABLE TIE CODE:

MLT = Metal Locking Tie
 MLTC = Nylon 11 Coated Stainless Steel Tie
 MLTDH = Double Wrapped Stainless Steel Cable Tie

TOOL WEIGHT = 16 OZ. (454 GRAMS)

DIMENSIONS SHOWN IN PARENTHESIS ARE METRIC.

F:\RVUSERS\ENGDOCS\JUSTDWGS\TB24535A01_03.doc

REV	DATE	BY	CHK	APR	DESCRIPTION	ECN	ST2MT STAINLESS STEEL TIE INSTALLATION TOOL CUSTOMER DRAWING			
03	2-07-13	BLR			UPD TEMPLATE & BRANDING	4609	ITEM REVISION NAME: TB24535A01_03			
UNLESS OTHERWISE SPECIFIED, DIMENSIONAL TOLERANCES ARE: (.x) ± -- (.xxx) ± -- (.xx) ± -- ANGLES ± --							MATERIAL: -----			
							THIRD ANGLE PROJECTION		DRAWING NUMBER: TB24535A01	
DRAWN BY: WDE DATE: 1-17-02 CHK: ABJ SCALE: NONE							SHT 1 OF 1		SIZE A	