



Bottom plate, for B=300mm, 1 flange aperture F3A

Part no. **AFP-3-CS**
Article no. **112914**

Delivery program

Product range			Accessories CS
Accessories			Bottom plates
Description			for flange F3A With foamed gasket
Function			Usable as a roof plate by turning the enclosure through 180° Not suitable for enclosure CS-.../150
For use with enclosure			
Width		mm	300
Flange apertures	Number		1
Material			Steel plate
Surface finish			With powder coating RAL 7035

Technical data

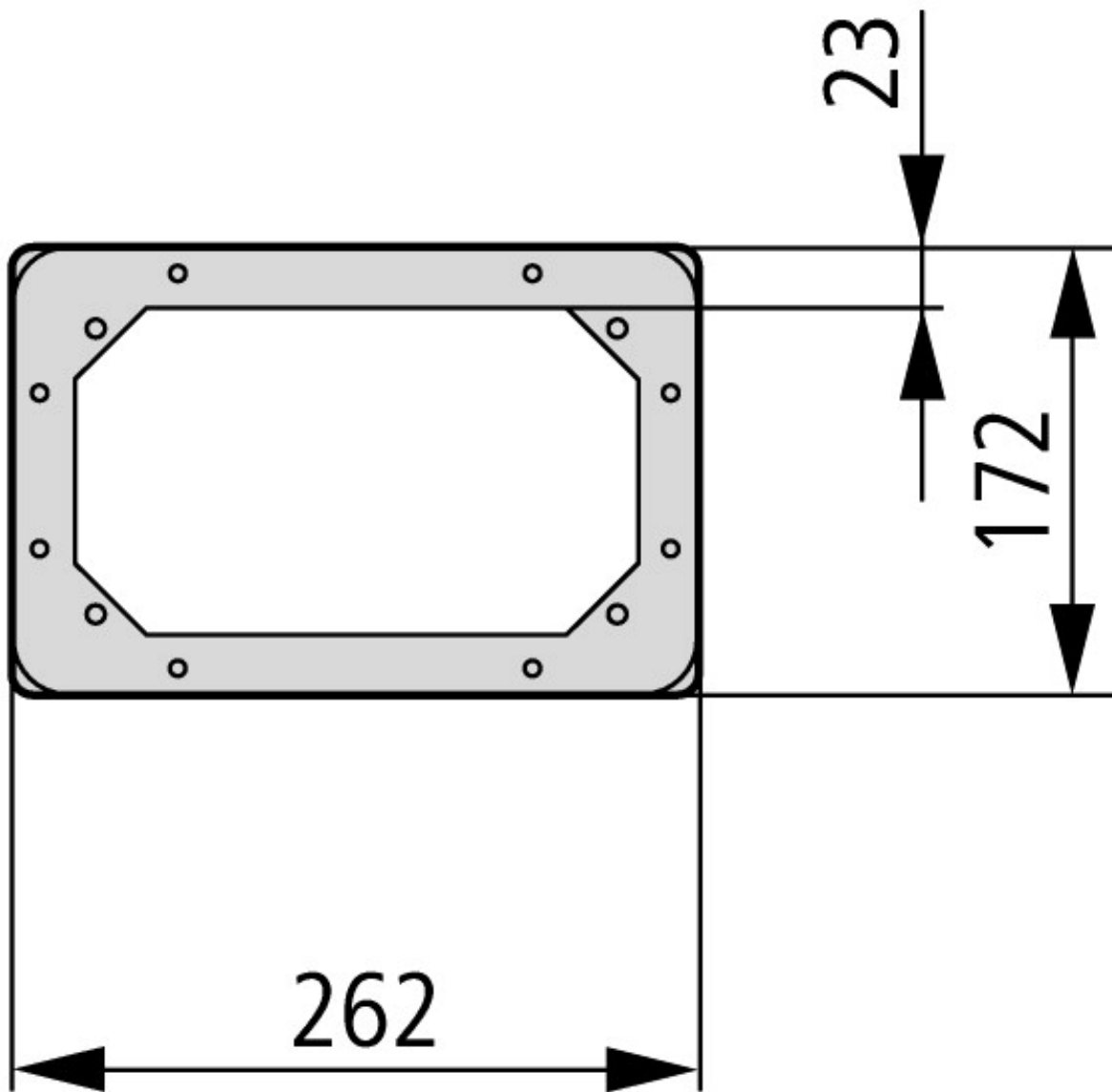
General

Degree of Protection			IP66 (if used properly with F3A-... flanges)
----------------------	--	--	--

Material characteristics

Material			Steel plate
Surface finish			With powder coating RAL 7035

Dimensions



CS-...3/200

Additional product information (links)

AWA4300-2524 Bottom panel with flange openings

AWA4300-2524 Bottom panel with flange openings

ftp://ftp.moeller.net/DOCUMENTATION/AWA_INSTRUCTIONS/25240810.pdf

Declaration of conformity

http://intranet.moeller.net/technik_daten/file/produkt_deklarationen/file/konformitaeten/00002/00002259.pdf